

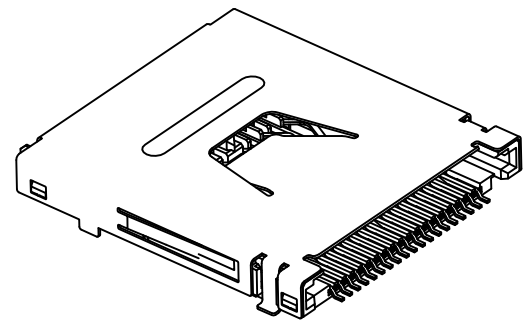
- NOTES :
- MATERIAL :
 INSULATOR : HIGH TEMPERATURE THERMOPLASTIC , UL94V-0.
 COLOR : BLACK
 CONTACT : PHOSPHOR BRONZE.
 - APPLICATION : SD&HS SD&SDHC&MMC &xD& MS&MS PRO&MagicGate MS&MS-ROM&MS I/O Expansion (It can protect the damage of MSDuo)
 - PLATING : CONTACT AREA :Gold Flash,10u" Au PLATED OVER Ni
 SOLDER AREA : Tin PLATED OVER Ni

107R-B X 0 0-R
 1 2 3

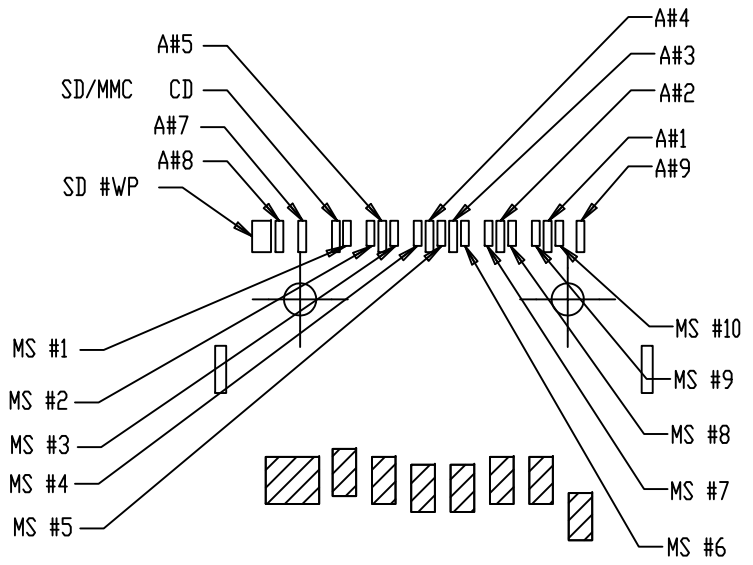
1.Type
 B:SD/MMC/MS/XD

2.Contact Plating
 A:Gold Flash
 D:10u" Gold Plating

3.RoHS

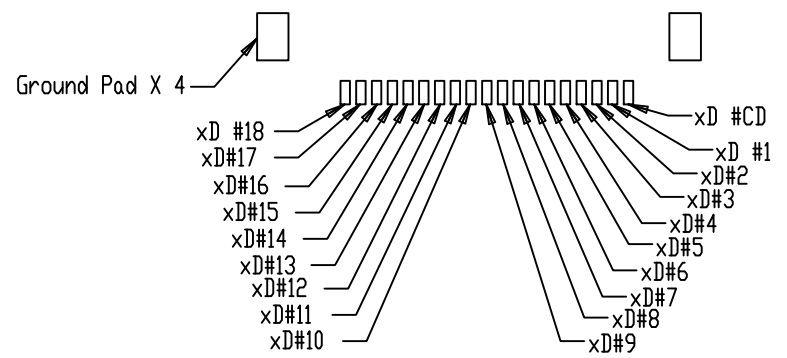


						UNLESS OTHERWISE SPECIFIED TOLERANCE				
						ANGLES	ANG.	±5°		
						LINEAR	0.	±0.3		
							0.00	±0.20		
						SCALE	AS SHOWN	UNIT: mm		
						DRAWN	Willis	2012/08/03	DRAWN NAME:	
						CHECKED	Angel	2012/08/03	Multi Card Socket SD/MMC/MS/xD	
						APPROVED	Ken	2012/08/03	PRODUCT NO.	107R-BX00-R
REV.	DESCRIPTION			DATE	REV.	DESCRIPTION			DATE	FILE NAME
1					1					107R-BX00-R_B_1



PIN ASSIGNMENT:

PIN NO.	MEMORY CARD	PIN NO.	PIN NO.	MEMORY CARD	PIN NO.	PIN NO.	MEMORY CARD	PIN NO.
A#1	SD/MMC-1 (DAT3)	MS#1	VSS	xD#18	(VCC)			
A#2	SD/MMC-2 (CMD)	MS#2	BS	xD#17	(D7)			
A#3	SD/MMC-3 (GND)	MS#3	DAT1	xD#16	(D6)			
A#4	SD/MMC-4 (VCC)	MS#4	SDIO/DATA0	xD#15	(D5)			
A#5	SD/MMC-5 (CLK)	MS#5	DATA2	xD#14	(D4)			
A#7	SD/MMC-7 (DAT0)	MS#6	INS	xD#13	(D3)			
A#8	SD-8 (DAT1)	MS#7	DATA3	xD#12	(D2)			
A#9	SD-9 (DAT2)	MS#8	SCLK	xD#11	(D1)			
		MS#9	VCC	xD#10	(D0)			
		MS#10	VSS	xD#9	(GND)			
				xD#8	(-WP)			
				xD#7	(-WE)			
				xD#6	(ALE)			
				xD#5	(CLE)			
				xD#4	(-CE)			
				xD#3	(-RE)			
				xD#2	(R/-B)			
				xD#1	(GND)			



PCB LAYOUT

(SD/MMC : SD&HS SD&SDHC&MMC CARD)

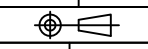
(MS : MS&MS PRO&MagicGate MS&MS-ROM&MS I/O Expansion CARD)

UNLESS OTHERWISE SPECIFIED TOLERANCE		
ANGLES	ANG.	±5°
LINEAR		±0.3
		±0.25
		±0.20
SCALE	AS SHOWN	UNIT: mm
DRAWN	Willis	2012/08/03
CHECKED	Angel	2012/08/03
APPROVED	Ken	2012/08/03

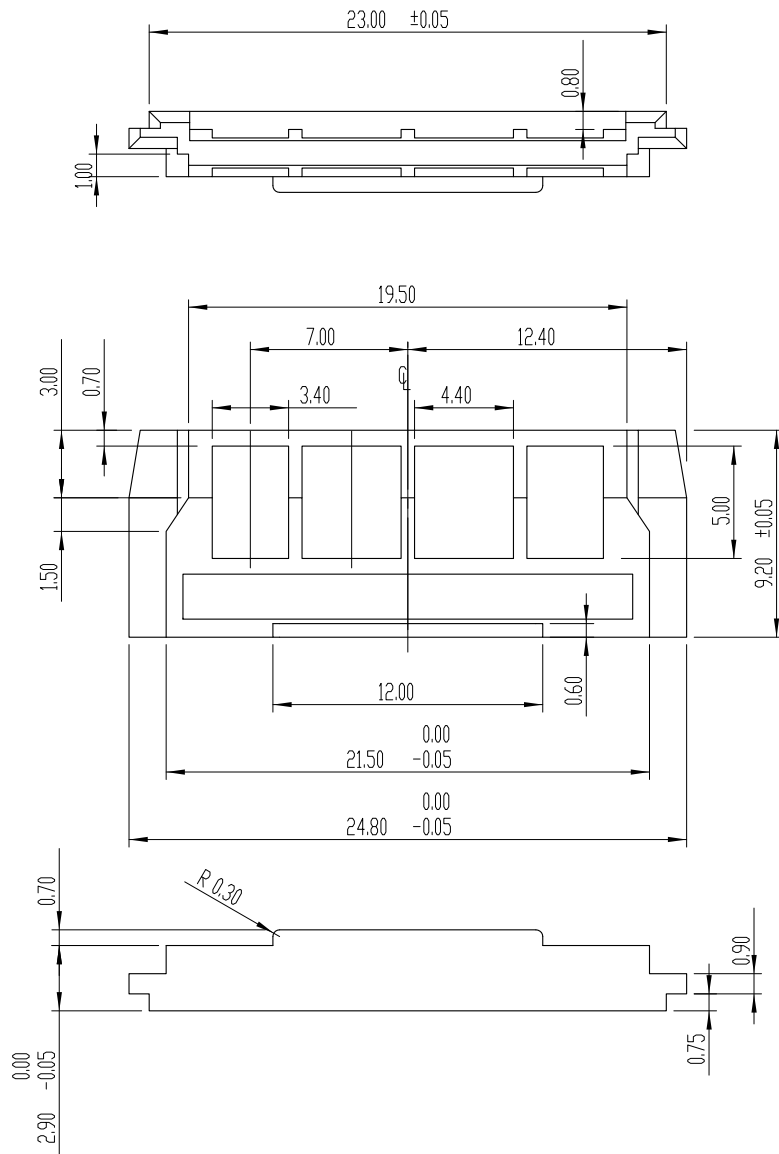


REV.	DESCRIPTION	DATE	REV.	DESCRIPTION	DATE
1			4		
2			5		
3			6		

DRAWN NAME:		Multi Card Socket SD/MMC/MS/xD	
PRODUCT NO.	107R-BX00-R	FILE NAME	107R-BX00-R_B_1

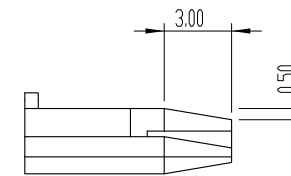
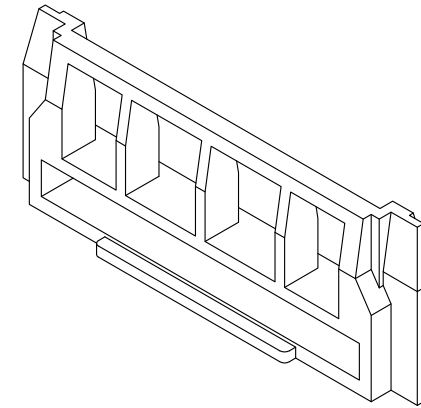


SIZE A4 REV. 1.0



NOTES:

1.MATERIAL: PA9T, UL94V-0,BLACK



REV.	DESCRIPTION	DATE	REV.	DESCRIPTION	DATE	SIZE	REV.	FILE NAME
1			4			A4	1.0	107R-XX00-R_B_2
2			5					
3			6					
4			7					
5			8					
6			9					
7			10					

UNLESS OTHERWISE SPECIFIED TOLERANCE			DRAWN NAME:
ANGLES	ANG.	±5°	
LINEAR	0.	±0.3	
	0.0	±0.25	
	0.00	±0.20	
SCALE	AS SHOWN	UNIT: mm	
DRAWN	Willis	2012/08/03	PRODUCT NO.
CHECKED	Angel	2012/08/03	107R-XX00-R
APPROVED	Ken	2012/08/03	FILE NAME
			107R-XX00-R_B_2

