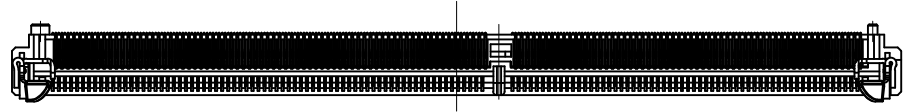
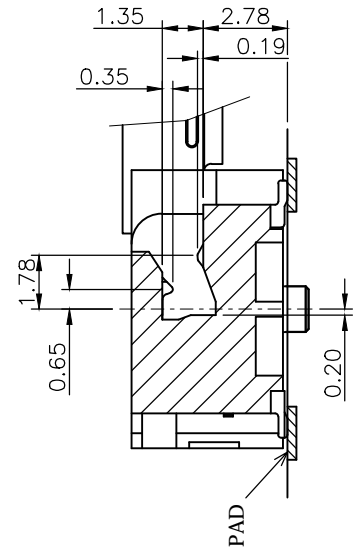
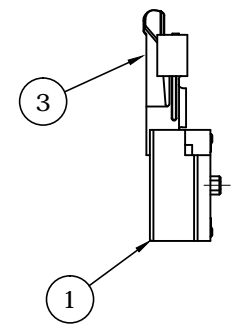
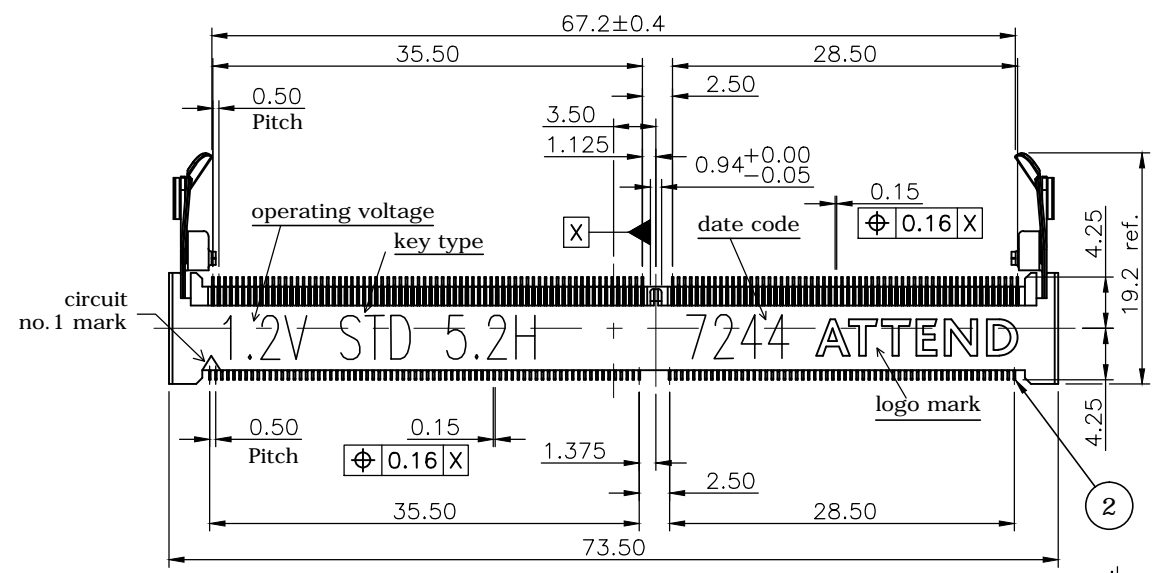


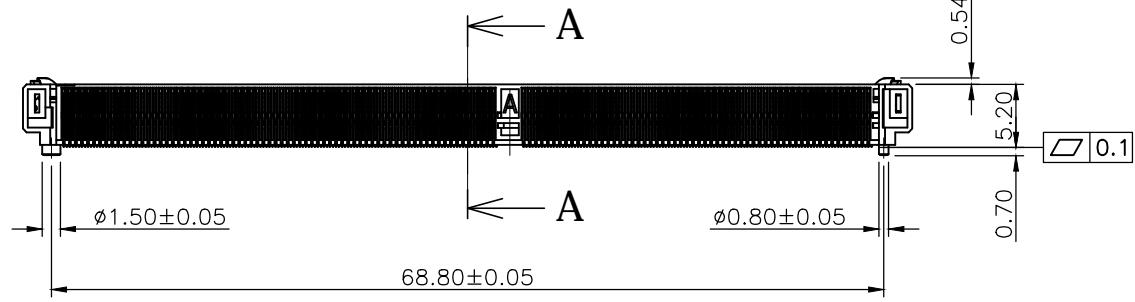
REV.	DESCRIPTION	DRAWN	DATE
1	Initial release	FROS	2017/09/01




DATE CODE: 7244 (YWWDD)
 Y: YEAR (2017)
 WW: WEEK (01~52)
 D: DAY (1~7)



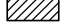
SECTION A-A, SCALE 4/1

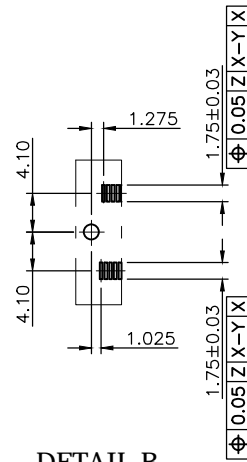


3	LATCH	Stainless steel	
2	CONTACT	Copper alloy, selective gold plating over nickel	
1	HOUSING	LCP, UL94V-0, Black	
NO. PART NAME		DESCRIPTION	
UNLESS OTHERWISE SPECIFIED TOLERANCE			
UNIT:	DECIMAL	LINEAR	ANGLES
	X.	±0.50	±5°
	X.X	±0.25	±3°
	X.XX	±0.12	±1°
mm			
			
		www.attend.com.tw	
DRAWN	Fros	2017/08/03	DRAWN NAME:
CHECKED	Tim	2017/08/03	DDR4 SODIMM Horizontal Socket
APPROVED	Ken	2017/08/03	5.2H, STD, G/F, Black, Reel, Short Latch
		PRODUCT NO.	124A-52A02
		SCALE	1.6/1
		SHEET	1/2
		SIZE	A4
		FILE NAME	124A-52A02_B_1

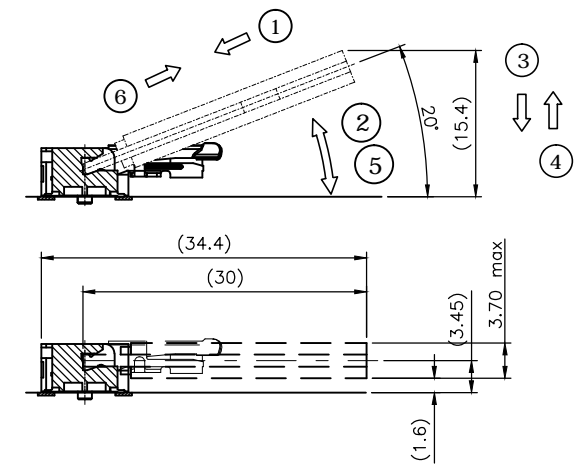
REV.	DESCRIPTION	DRAWN	DATE
	SEE SHEET ONE		

NOTE:

1. A PCB side be DETAM-"Z"
2. Connector outline. no component area.
3. Latch moving area. no component area.
4.  PAD

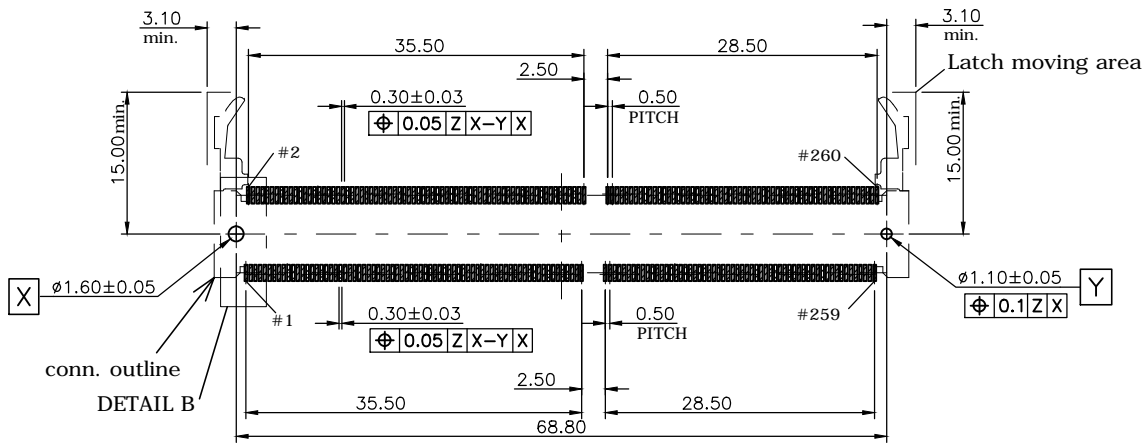


DETAIL B



- MATING: ① INSERTING(20°) → ② ROTATING(0°) → ③ FIXED
 UNMATING: ④ UNFIXED → ⑤ RISE UP (20°) → ⑥ EXTRACTING

MATING/UNMATING VIEW



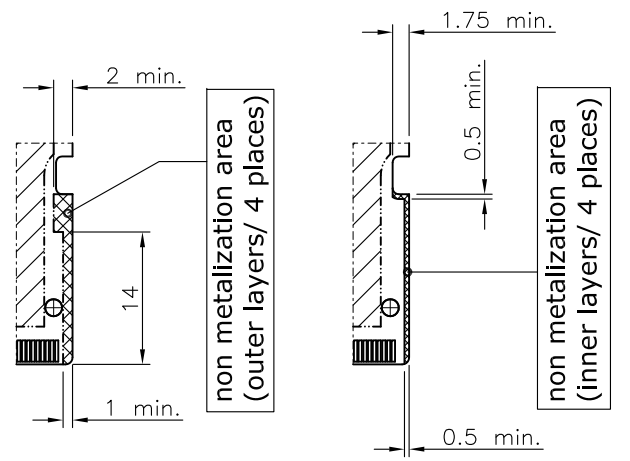
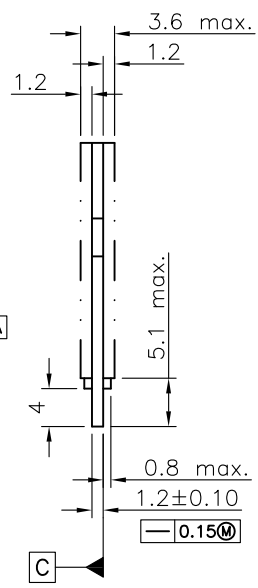
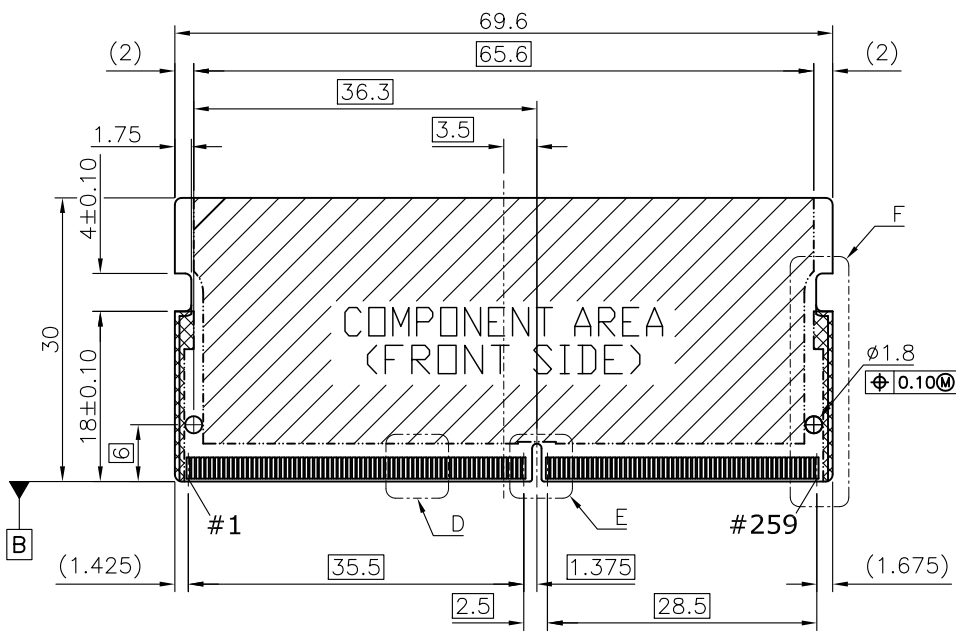
RECOMMENDED LAYOUT (TOP VIEW)
GENERAL TOLERANCE: ±0.05

UNLESS OTHERWISE SPECIFIED TOLERANCE				
UNIT:	DECIMAL	LINEAR	ANGLES	
mm	X.	±0.50	±5°	
	X.X	±0.25	±3°	
	X.XX	±0.12	±1°	
DRAWN	Fros	2017/08/03	DRAWN NAME: DDR4 SODIMM Horizontal Socket 5.2H, STD, G/F, Black, Reel, Short Latch	
CHECKED	Tim	2017/08/03		
APPROVED	Ken	2017/08/03		PRODUCT NO. 124A-52A02
SCALE	1.25/1	SHEET 2/2		SIZE A4



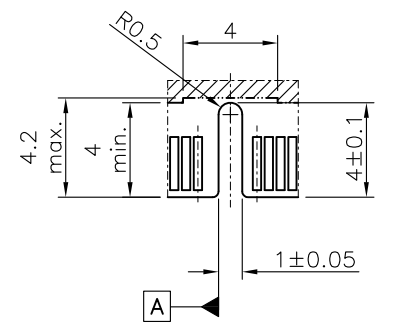
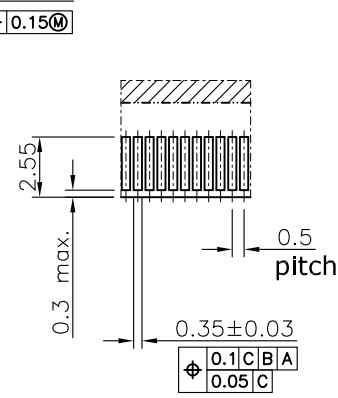
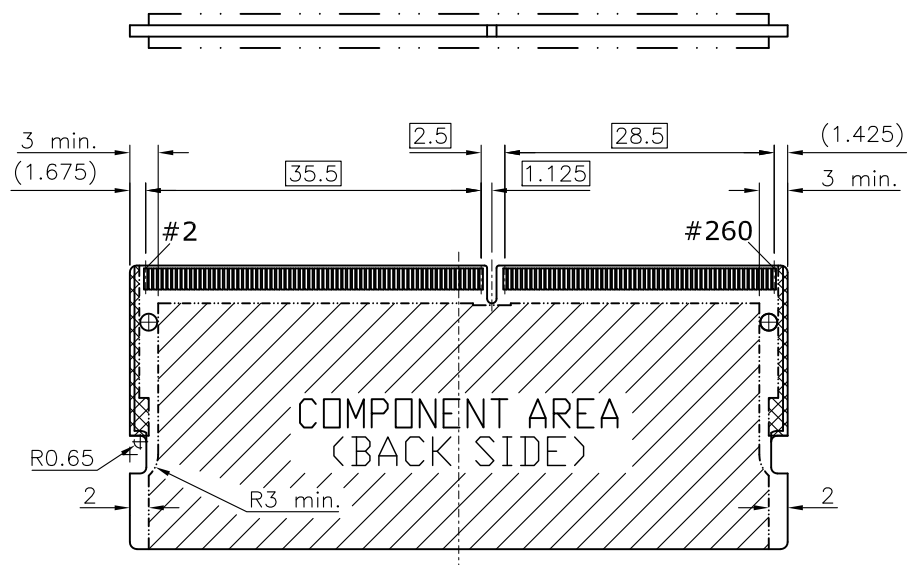
www.attend.com.tw

REV.	DESCRIPTION	DRAWN	DATE
1	INITIAL RELEASE	FROS	2017/02/23



Detail F


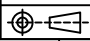
Detail E



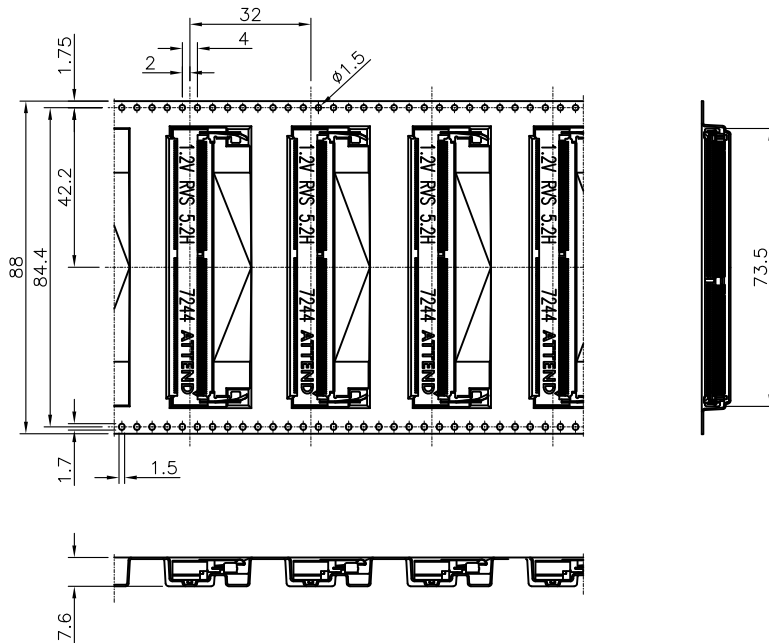
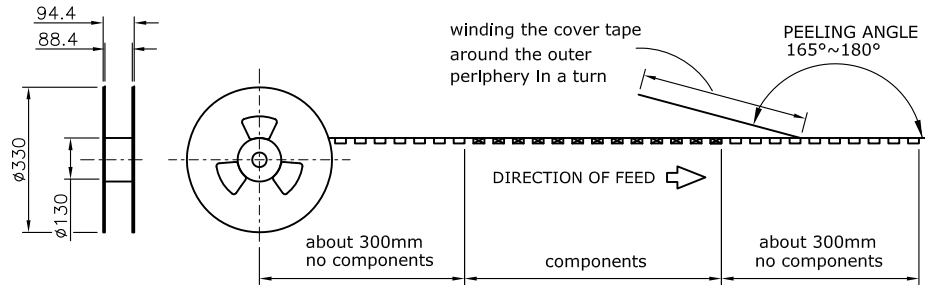
Detail D
SCALE 3.125

Detail E
SCALE 3.125

Note: tolerance on dimensions is ± 0.15 unless otherwise specified.

UNLESS OTHERWISE SPECIFIED TOLERANCE				 www.attend.com.tw	
UNIT:	DECIMAL	LINEAR	ANGLES		
mm	X.	± 0.50	$\pm 5^\circ$	DRAWN NAME: DDR4 SODIMM CARD SPEC.	
	X.X	± 0.25	$\pm 3^\circ$		
	X.XX	± 0.12	$\pm 1^\circ$		
DRAWN	Fros	2017/02/23	DRAWN NAME:		
CHECKED	Tim	2017/02/23	DDR4 SODIMM CARD SPEC.		
APPROVED	Ken	2017/02/23	PRODUCT NO.		
	SCALE	SHEET	SIZE	FILE NAME	124-CARD_B_1
	1.25/1	1/1	A4		

REV.	DESCRIPTION	DRAWN	DATE
1	INITIAL RELEASE	FROS	2017/08/03



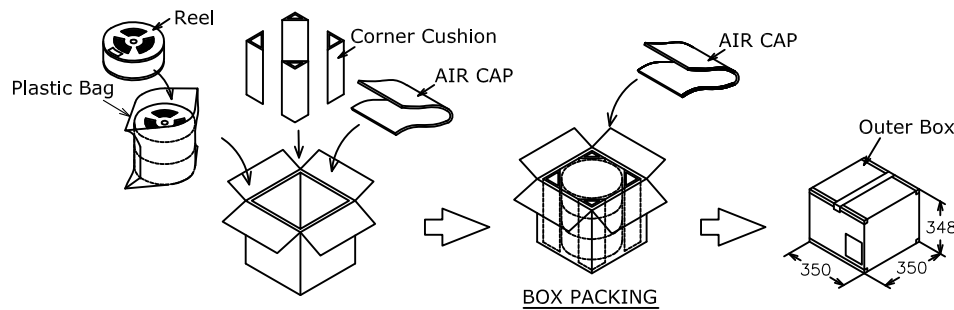
PACKAGING SPECIFICATION:

1. MATERIAL

- 1.1 Embossed Carrier Tape: PS Black
- 1.2 Top Cover Tape: PET
0.1N-1.5N(Peel Speed 300mm/Minute)
- 1.3 Taping Reel: Plastic

2. PACKING

- 2.1 Quantity:
250 Piece/Reel
3 Reel/Carton
750 Piece/Carton
- 2.2 Weight: 7.5Kg



NO.	P/N	Description
1	124A-52A02	DDR4 Horizontal 5.2H, STD, Reel, Short Latch
2	124A-52A12	DDR4 Horizontal 5.2H, RVS, Reel, Short Latch

UNLESS OTHERWISE SPECIFIED TOLERANCE			
UNIT:	DECIMAL	LINEAR	ANGLES
mm	X.	±0.50	±5°
	X.X	±0.25	±3°
	X.XX	±0.12	±1°

DRAWN	Fros	2017/08/03	DRAWN NAME:	
CHECKED	Tim	2017/08/03	Packaging Specifications	
APPROVED	Ken	2017/08/03	PRODUCT NO.	SEE TABLE
SCALE	N/A	SHEET	1/1	SIZE
				A4
FILE NAME			124A-52AX2_D_1	



www.attend.com.tw