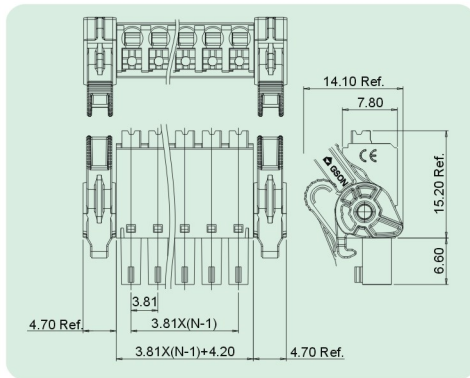
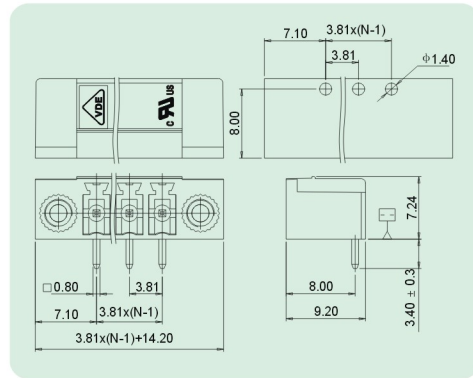


### 15EDGKNGB/RMG-3.81

- PUSH-IN接线结构。
- 带释放杆挂钩，无需任何工具实现对锁和释放。
- PUSH-IN structure.
- With release hook, free tool to realize to lock and release.



15EDGKNGB-3.81



15EDGRMG-3.81

### 技术参数 Technical data

APPROVAL: CE

型号 Model	线径 Wire range	线数 Poles	IEC61984技术参数 (IEC61984 data sheet)		UL1059技术参数 (UL1059 data sheet)	
			电压(V) Rated voltage	电流(A) Rated current	电压(V) Rated voltage	电流(A) Rated current
15EDGKNGB-3.81	28-16/0.2-2.5AWG/mm <sup>2</sup>	02-24P	250	12	300	8
15EDGRMG-3.81	-	02-24P	250	12	300	8

### 应用行业 Application

工业自动化、新能源、电梯、电力电气、电源、轨道交通、机械等行业。  
Industrial automation, new energy, elevator, electric power, power supply, machinery.



### 产品包装方式 Packing

Product model	Pcs./Pkt.	Product model	Pcs./Pkt.
15EDGKNGB-3.81-02P	50	15EDGKNGB-3.81-08P	50
15EDGKNGB-3.81-03P	50	15EDGKNGB-3.81-09P	50
15EDGKNGB-3.81-04P	50	15EDGKNGB-3.81-10P	50
15EDGKNGB-3.81-05P	50	15EDGKNGB-3.81-11P	50
15EDGKNGB-3.81-06P	50	15EDGKNGB-3.81-12P	50
15EDGKNGB-3.81-07P	50		

### 型号对照 Cross reference

DEGSON	同行1/Competitor1	同行2/Competitor2
-	-	-

### 产品订货 How to order

15EDGKNGB-3.81-02P	0	2	P	1	4	0	0	A(H)
Series NO.	NO. of pole					通用色 General Color		
	1 Single pitch	2 Double pitch				4 Green	PANTONE 558C	DEGSON 04