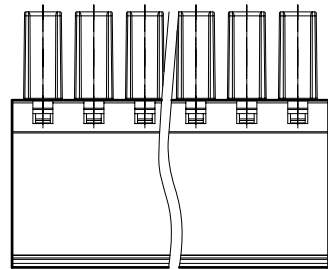
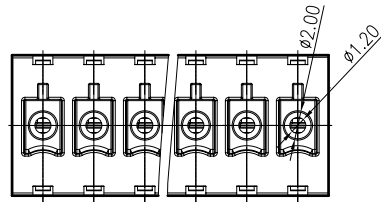
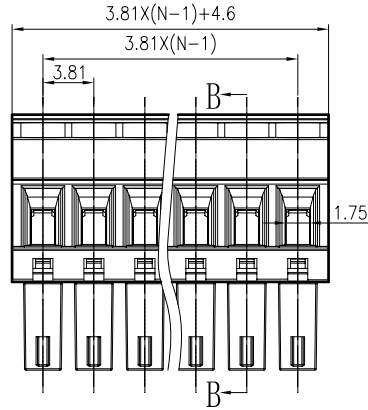
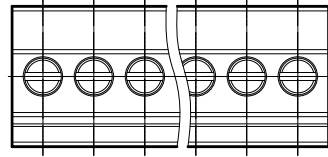
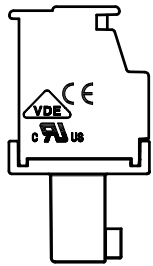


Notes:

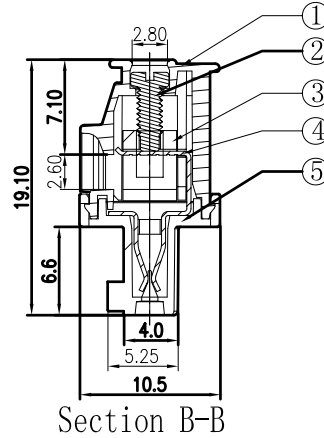
1. Pitch:3.81mm , Poles:2-24P
2. Rated voltage/current:UL 300V/8A
VDE 250V/7A
3. Operation temperatures:-40°C~+105°C
4. Withstanding Voltage:AC2000V/1Min
5. Insulation Resistance:5000MΩ /DC1000V
6. Wire Range:28~16AWG, 0.5-1.5mm²
7. Max. Torque
Value:M2, 2.04kgf. cm(1.77Lb. in)
8. Undimensioned Tolerances:

REVISION RECORD				
REV	ECO	DESCRIPTION	DRFT	DATE

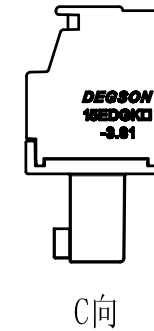
Pitch range in mm		Nominal dimension range in mm					—	
to	over	over	over	over	over	over	⌒	
6	6 to 10	10 to 24	30 to 60	60 to 100	100 to 150	150	∇	
±0.10	±0.15	±0.25	±0.2	±0.3	±0.5	±0.7	±1	0.05/10



C



Section B-B



C向

5	15EDGKA/B-3.81-100A-Cover	1041COYXXE (H)	1	PA66	UL94V-0
4	15EDGKA/B-100A-Clamp	1033B00020 (H)	XX	Phosphor bronze	SnCe
3	15EDGK Cage	X00000010 (H)	XX	Brass	Ni Plated
2	15EDG Screw-M2.0	S000001360 (H)	XX	Steel	Cr ³⁺ Zn
1	15EDGKA/B-3.81-100A-Housing	1041A0YXXE (H)	1	PA66	UL94V-0
ITEM	NAME OF PART	NO. OF PART	Q'TY	MATERIAL	NOTES

DETACHED LISTS	MM (INCH)	DFTO Apple	DATE 04/11/09*	宁波高正电子有限公司 DEGSON ELECTRONICS CO., LTD	
	TOLERANCES EXCEPT AS NOTED	CHKD	DATE		
		MFO	DATE		
		APPVL	DATE		
	MM	±		MATERIAL :	
	.0 ±	±			
	.00 ±	±			
	.000 ±	±			
	ANGLES ± 1°	G.E :		NAME	
				15EDGKA-3.81-XXP-1Y-100A (H)	
	THIRD ANGLE PROJECTION	FINISH :		DRAWING NO. 15EDGKA-3.81-E100	SIZE A3
		SCALE : 1:1		/PART NO.	REV TO 09/10/10*
				DO NOT SCALE DRAWING	SHEET 1 OF 1