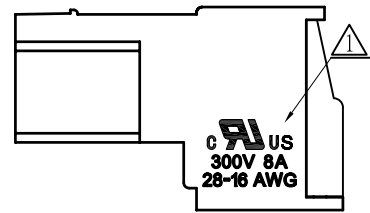
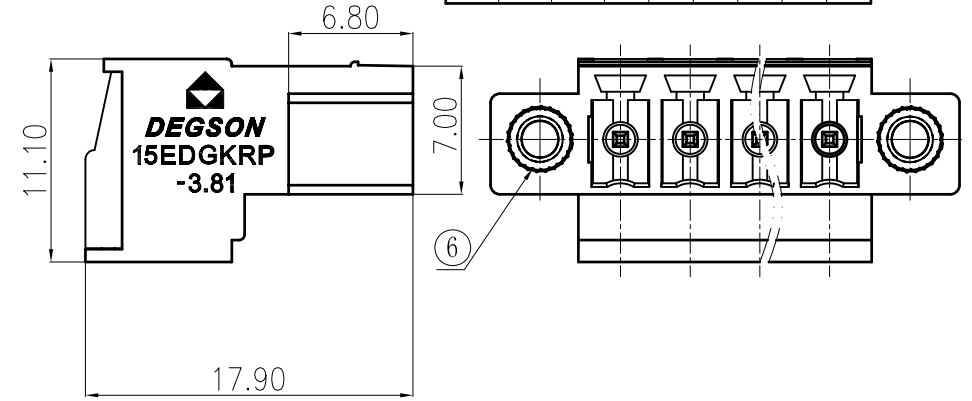
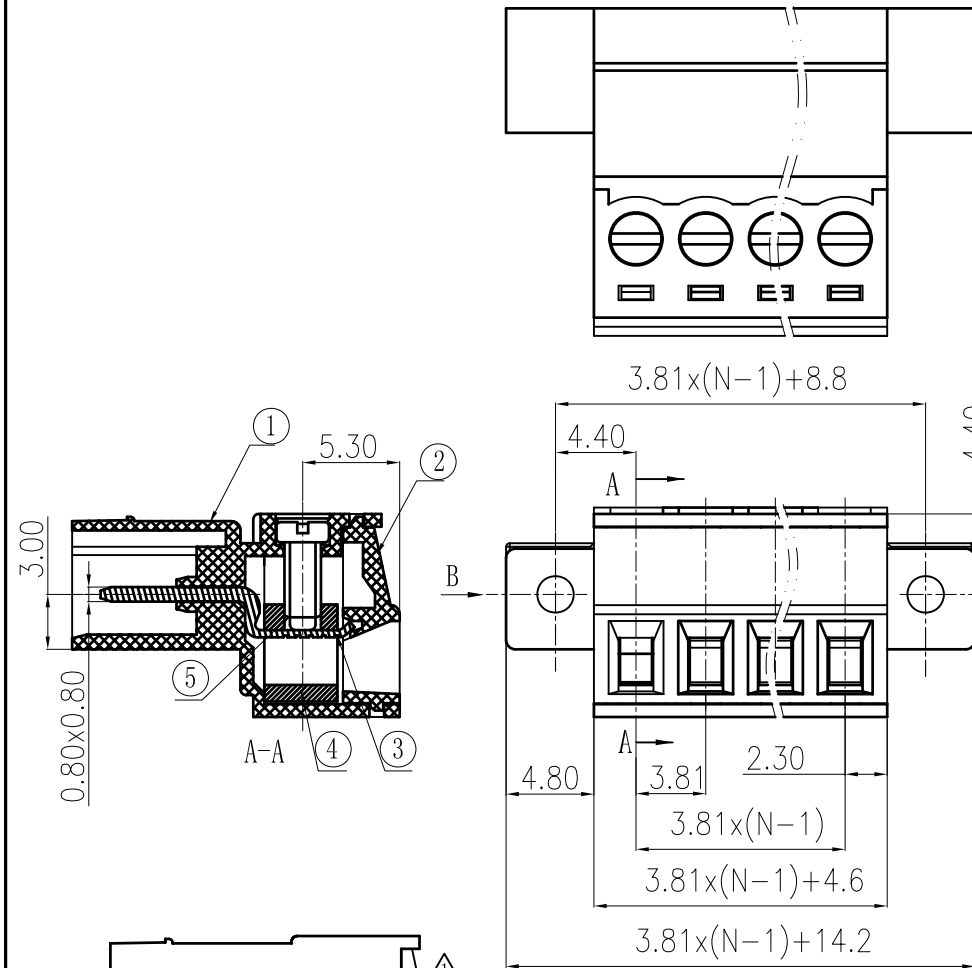


REVISION RECORD					
REV	ECO	DESCRIPTION	DRFT	DATE	
△	09-0135	增加UL刻字及UL参数	GHY	12-06-09	

Notes:

1. Pitch: 3.81mm poles: 2-16P
2. Rated voltage/current: UL 300V/8A △
IEC 160V/8A
3. Insulation resistance: 5000MΩ/DC1000V
4. Withstanding voltage: AC2000V/1Min
5. Wire range: 28-16AWG 1.5mm²
6. Temp. Range: -40° C~+105° C
- 7 Torque: 4.08kgf.cm
8. Undimensioned Tolerances:

Pitch range in mm		Nominal dimension range in mm					
to	over	to	over	to	over	to	
6	6 to 10	10 to 24	24 to 30	30 to 60	60 to 100	100 to 150	150 to ∞
	±0.10	±0.15	±0.25	±0.2	±0.3	±0.5	±0.7
							±1.0
							0.005/10



B 向

ITEM	NAME OF PART	NO. OF PART	Q'TY	MATERIAL	NOTES
6	2EDG Screw cap	S000000040 (H)	2	Brass	
5	15EDG-“—”Screws	S000001360 (H)	XX	Steel	Cr ³⁺ Zn
4	15EDG-Brass cage	X000000010 (H)	XX	Brass	Ni plated
3	15EDGKR-Pin	1215B00010 (H)	XX	Copper	SnCe plated
2	15EDGK-3.81-Cover	1010COYXXA (H)	1	PA66	UL94V-0
1	15EDGKRM-3.81-Housing	1216AOYXXA (H)	1	PA66	UL94V-0

DETACHED LISTS	MM (INCH)	DFTO Zhuwm	DATE 12/14/07*	宁波高正电子有限公司 DEGSON ELECTRONICS CO., LTD
	TOLERANCES EXCEPT AS NOTED	CHKD	DATE	
		MFO	DATE	
		APPVL	DATE	
	MM	±		NAME
	.0 ±	±		15EDGKRP-3.81-XXP-1Y-00A (H)
	.00 ±	±		MATERIAL :
	.000 ±	±		G.E :
	ANGLES ± 1°			FINISH :
	THIRD ANGLE PROJECTION			SCALE : 1:1
DO NOT SCALE DRAWING				SHEET 1 OF 1