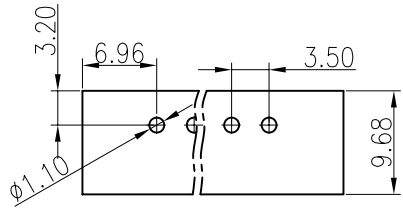
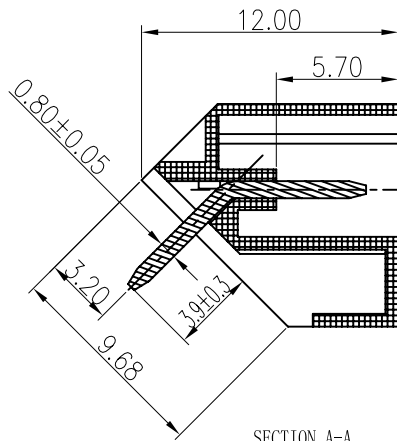
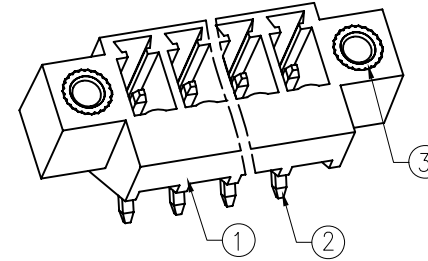
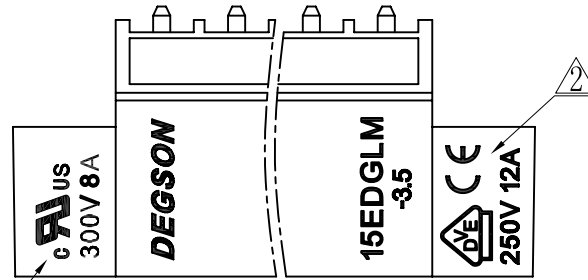


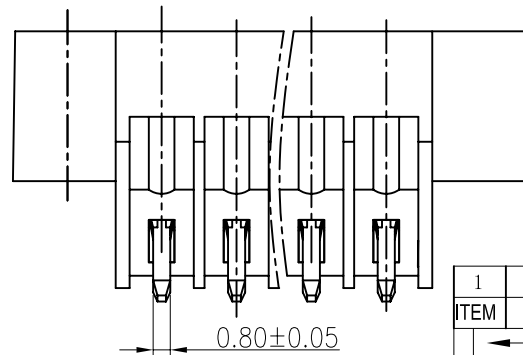
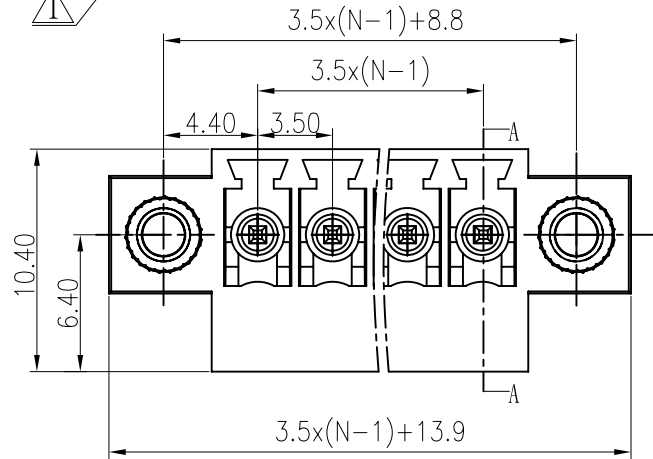
REVISION RECORD				
REV	ECO	DESCRIPTION	DRFT	DATE
△	10-0068	增加UL刻字	David.G	04/21/10
△	10-0352	增加VDE刻字	Yi.Zeng	10/15/10



PCB LAYOUT (REF)



SECTION A-A



Notes:

1. Pitch: 3.5mm, poles: 2-22p
2. Rated voltage/current: UL 300V/8A
VDE 250V/12A
3. Contact resistance: 20mΩ
4. Withstanding voltage: AC2000V/1min
5. Insulation resistance: 5000MΩ/1000V
6. Temp. Range: -40° C ~ +105° C
7. MAX Soldering: +250° C, for 5 Sec
8. Undimensioned Tolerances:

Pitch range in mm		Nominal dimension range in mm						
to	over	to	over	to	over	to	over	
6	6	10	30	60	100	150		∩
6	10	24	30	60	100	150		□
±0.10		±0.15	±0.25	±0.2	±0.3	±0.5	±0.7	±1.0

3	2EDG Cap	S00000040 (H)	2	Brass	
2	15EDGLC-3.81-Pin	1096B00010 (H)	XX	Brass	Snce plated

ITEM	NAME OF PART	NO. OF PART	Q'TY	MATERIAL	NOTES
1	15EDGLM-3.5 座	1099A0YXXA (H)	1	PA66	UL94V-0

DETAILED LISTS	<table border="1"> <tr> <td>MM (INCH)</td> <td>MM</td> <td>±</td> <td>MM</td> <td>±</td> </tr> <tr> <td></td> <td>.0</td> <td>±</td> <td>.00</td> <td>±</td> </tr> <tr> <td></td> <td>.00</td> <td>±</td> <td>.000</td> <td>±</td> </tr> </table>	MM (INCH)	MM	±	MM	±		.0	±	.00	±		.00	±	.000	±	<table border="1"> <tr> <td>DFTO Zhwm</td> <td>DATE 12/06/08</td> </tr> <tr> <td>CHKD</td> <td>DATE</td> </tr> <tr> <td>MFO</td> <td>DATE</td> </tr> <tr> <td>APPVL</td> <td>DATE</td> </tr> </table>	DFTO Zhwm	DATE 12/06/08	CHKD	DATE	MFO	DATE	APPVL	DATE	<p>NAME 15EDGLM-3.5-XXP-1Y-00A (H)</p>
MM (INCH)	MM	±	MM	±																						
	.0	±	.00	±																						
	.00	±	.000	±																						
DFTO Zhwm	DATE 12/06/08																									
CHKD	DATE																									
MFO	DATE																									
APPVL	DATE																									
<table border="1"> <tr> <td>ANGLES ± 1°</td> <td>G.E :</td> </tr> <tr> <td>FINISH :</td> <td>SCALE :</td> </tr> </table>	ANGLES ± 1°	G.E :	FINISH :	SCALE :	<table border="1"> <tr> <td>DRAWING NO. 15EDGLM-3.5-E01</td> <td>SIZE A3</td> <td>REV T2</td> </tr> <tr> <td>/PART NO.</td> <td></td> <td>10/15/10</td> </tr> </table>	DRAWING NO. 15EDGLM-3.5-E01	SIZE A3	REV T2	/PART NO.		10/15/10															
ANGLES ± 1°	G.E :																									
FINISH :	SCALE :																									
DRAWING NO. 15EDGLM-3.5-E01	SIZE A3	REV T2																								
/PART NO.		10/15/10																								
THIRD ANGLE PROJECTION	DO NOT SCALE DRAWING	SHEET 1 OF 1																								