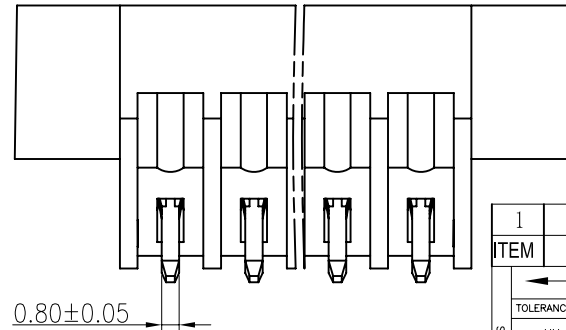
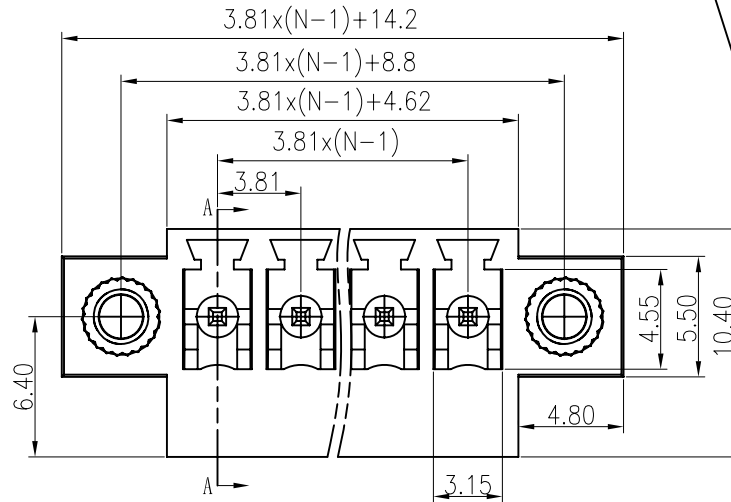
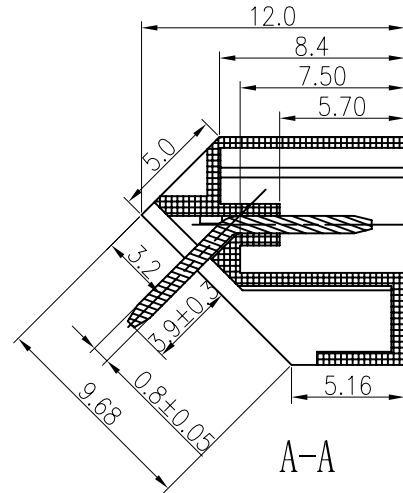
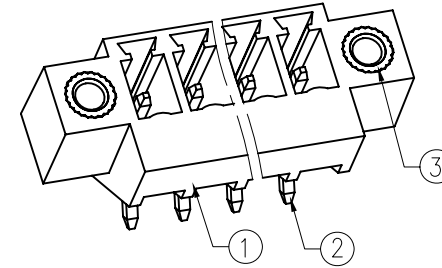
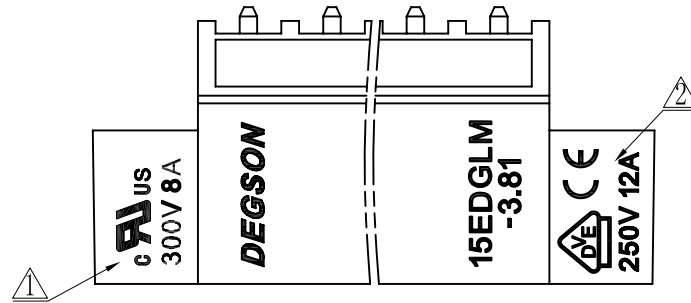
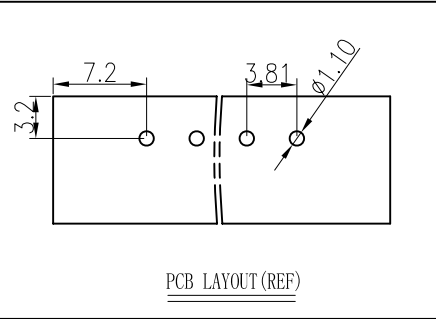


REVISION RECORD				
REV	ECO	DESCRIPTION	DRFT	DATE
△	10-0069	增加UL刻字	GHY	04/10/10
△	10-0349	增加VDE刻字	Yi. Zeng	10/13/10



Notes:

1. Pitch: 3.81mm, poles:2-24p
2. Rated voltage/current: UL 300V/8A
VDE 250V/12A
3. Contact resistance: 20mΩ
4. Withstanding voltage: AC1500V/1Min
5. Insulation resistance:5000MΩ/1000V
6. Temp. Range: -40° C~+105° C
7. MAX Soldering: +250° C, for 5 Sec
8. Undimensioned Tolerances:

Pitch range in mm		Nominal dimension range in mm					
to 6	over 6 to 10	over 10 to 24	to 30	over 30 to 60	over 60 to 100	over 100 to 150	—
±0.10	±0.15	±0.25	±0.2	±0.3	±0.5	±0.7	±1.0, 0.05/10

3	2EDG Cap	S00000040 (H)	2	Brass	
2	15EDGLC-3.81-Pin	1096B00010 (H)	XX	Brass	Snce plated

ITEM	NAME OF PART	NO. OF PART	Q"TY	MATERIAL	NOTES
1	15EDGLM-3.81 Housing	1098A0YXXA (H)	1	PA66	UL94V-0

MM (INCH)	DFTO Zhurmm	DATE 01/22/08"
TOLERANCES EXCEPT AS NOTED	CHKD	DATE
	MFO	DATE
	APPVL	DATE
MM		
.0 ±	±	
.00 ±	±	
.000 ±	±	
ANGLES ± 1°	G.E :	
THIRD ANGLE PROJECTION	FINISH :	
	SCALE :	

宁波高正电子有限公司 DEGSON ELECTRONICS CO., LTD	
NAME	
15EDGLM-3.81-XXP-1Y-00A (H)	
DRAWING NO. 15EDGLM-3.81-E01	SIZE A3
/PART NO.	REV T2
	10/13/10

DO NOT SCALE DRAWING	SHEET 1	OF 1
----------------------	---------	------