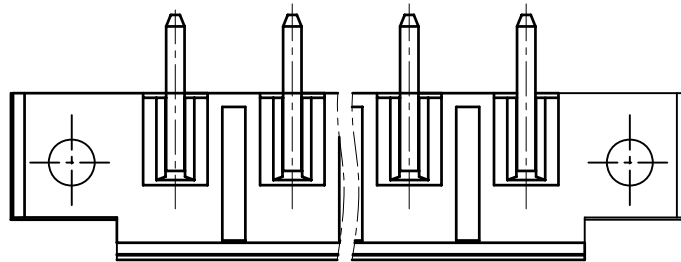
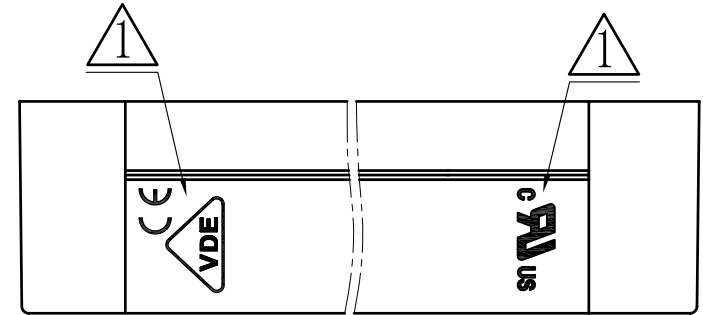
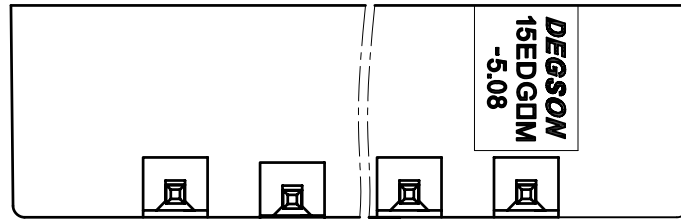
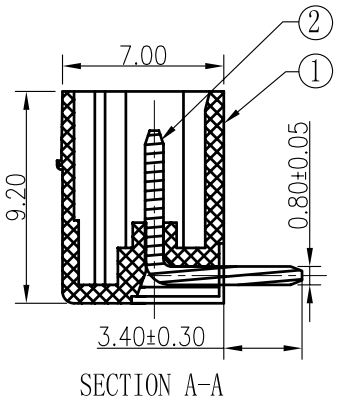
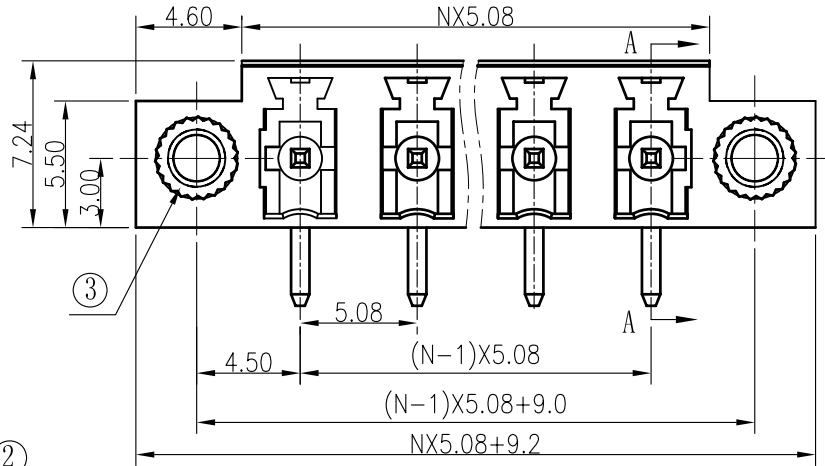


REVISION RECORD					
REV	ECO	DESCRIPTION	DRFT	DATE	
△		增加VDE, UL, CE刻字	Zengy	01/13/09	



- Notes:
- Pitch: 5.08mm, Poles: 2-12P
  - Rated voltage/current: UL 300V/8A  
VDE 250V/7A
  - Operation temperatures: -40°C ~ +105°C
  - Withstanding Voltage: AC2000V/1min
  - Insulation Resistance: 5000MΩ / DC1000V
  - Undimensioned Tolerances:

Pitch range in mm		Nominal dimension range in mm						
	over 6	over 10	over 30	over 60	over 100	over 150		
to 6	to 10	to 24	to 30	to 60	to 100	to 150	□	
±0.10	±0.15	±0.25	±0.2	±0.3	±0.5	±0.7	±1.0	
							0.05/0.10	

3	2EDG screw cap	S000000040 (H)	2	Brass													
2	15EDGR (0.8*12.6R) Pin header	1003B00010 (H)	XX	Brass	SnCe plated												
1	15EDGRM-5.08-Housing	1173A0YXXA (H)	1	PA66	UL94V-0												
ITEM	NAME OF PART	NO. OF PART	Q"TY	MATERIAL	NOTES												
<table border="1"> <tr> <td>MM (INCH)</td> <td>DFTO Zhuwm</td> <td>DATE 12/14/07</td> </tr> <tr> <td>TOLERANCES EXCEPT AS NOTED</td> <td>CHKD</td> <td>DATE</td> </tr> <tr> <td></td> <td>MFO</td> <td>DATE</td> </tr> <tr> <td></td> <td>APPVL</td> <td>DATE</td> </tr> </table>		MM (INCH)	DFTO Zhuwm	DATE 12/14/07	TOLERANCES EXCEPT AS NOTED	CHKD	DATE		MFO	DATE		APPVL	DATE	宁波高正电子有限公司 DEGSON ELECTRONICS CO., LTD		NAME 15EDGRM-5.08-XXP-1Y-00A (H)	
MM (INCH)	DFTO Zhuwm	DATE 12/14/07															
TOLERANCES EXCEPT AS NOTED	CHKD	DATE															
	MFO	DATE															
	APPVL	DATE															
DETACHED LISTS .0 ± .00 ± .000 ±		MATERIAL : G.E : FINISH : SCALE : 1:1		DRAWING NO. 15EDGRM-5.08-E01 /PART NO. SIZE A3 REV T1 01/13/09													
ANGLES ± 1' THIRD ANGLE PROJECTION		DO NOT SCALE DRAWING		SHEET 1 OF 1													