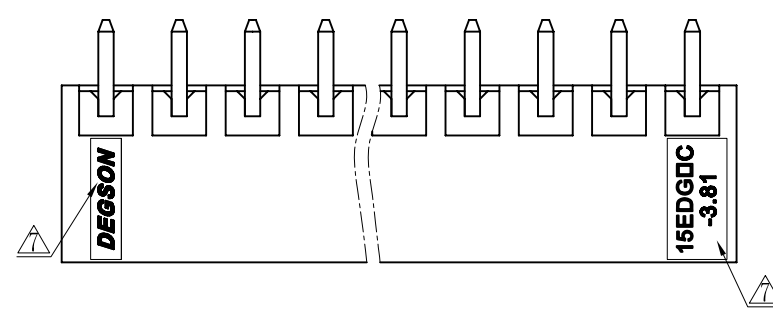
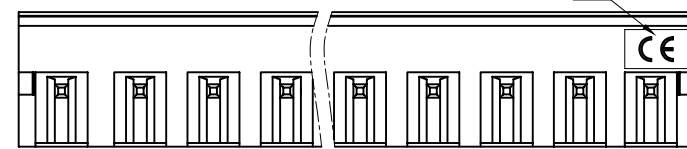
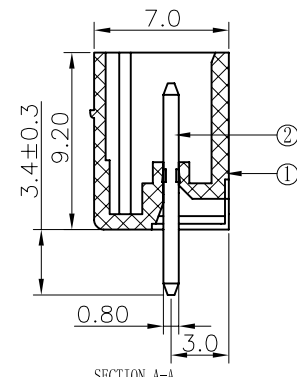
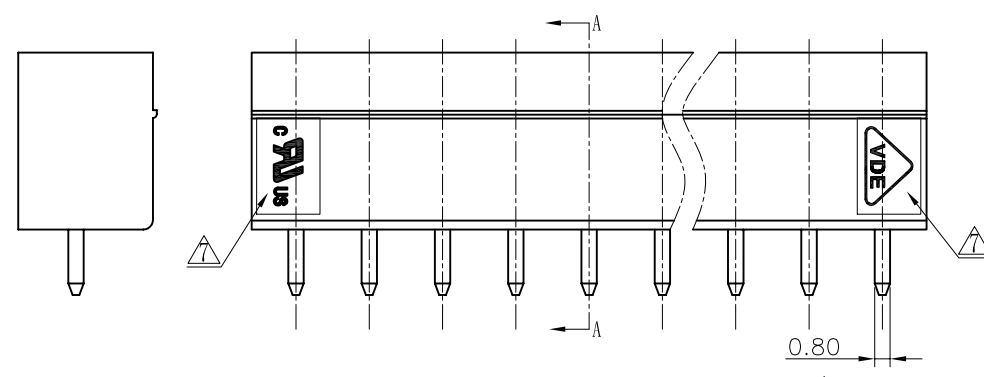
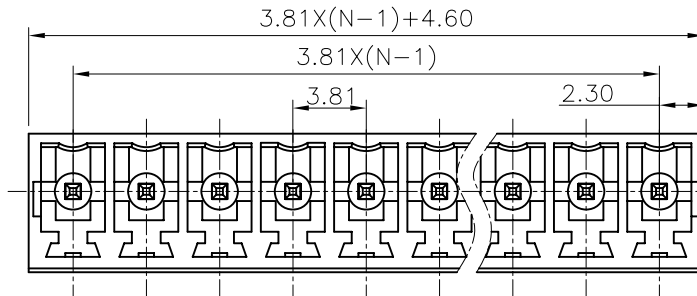


REVISION RECORD				
REV	ECO	DESCRIPTION	DRFT	DATE
△1		Drawing emend	WF	05/07/06*
△2		去掉UL中的小“R”字	CSX	09/17/07*
△3		更新图面	LJH	03/01/08*
△4		老模新开更改刻字	WLM	07/12/08*
△5		增加自动化方针	WLM	10/31/08*
△6		增加VDE, CE刻字及修改刻字	Zengy	12/26/08*
△7		工程变更2-6P取消卡槽	XGF	04/11/09*



Notes:

1. Pitch: 3.81mm , Poles: 2-24P
2. Rated voltage/current: UL 300V/8A
VDE 250V/7A
3. Operation temperatures: -40°C ~ +105°C
4. Withstanding Voltage: AC2000V/1min
5. Insulation Resistance: 5000MΩ/DC1000V
6. Undimensioned Tolerances:

Pitch range in mm		Nominal dimension range in mm					—	
to	over	to	to	to	to	to	—	
6	10	10	24	30	60	100	150	∩
±0.10	±0.15	±0.25	±0.2	±0.3	±0.5	±0.7	±1.0	∇

2	15EDGVC-Pin header	△6 1002B00060 (H)	XX	Brass	Automatic assembly
2	15EDGVC-Pin header	1002B00010 (H)	XX	Brass	Manual assembly

ITEM	NAME OF PART	NO. OF PART	Q'TY	MATERIAL	NOTES												
1	15EDGVC-3.81-Housing	1003A0YXXA (H)	1	PA66	UL94V-0												
<table border="1"> <tr> <td>MM (INCH)</td> <td>DFTO: Zhuwm</td> <td>DATE 07/24/'04</td> </tr> <tr> <td>TOLERANCES EXCEPT AS NOTED</td> <td>CHKD</td> <td>DATE</td> </tr> <tr> <td></td> <td>MFO</td> <td>DATE</td> </tr> <tr> <td></td> <td>APPVL</td> <td>DATE</td> </tr> </table>		MM (INCH)	DFTO: Zhuwm	DATE 07/24/'04	TOLERANCES EXCEPT AS NOTED	CHKD	DATE		MFO	DATE		APPVL	DATE	<p style="text-align: center;">DEGSON® 宁波高正电子有限公司 DEGSON ELECTRONICS CO., LTD</p>			
MM (INCH)	DFTO: Zhuwm	DATE 07/24/'04															
TOLERANCES EXCEPT AS NOTED	CHKD	DATE															
	MFO	DATE															
	APPVL	DATE															
DETACHED LISTS		NAME: 15EDGVC-3.81-XXP-1Y-00A(H)															
ANGLES ± 1'		G.E :		DRAWING NO. 15EDGVC-3.81-E03													
THIRD ANGLE PROJECTION		FINISH :		/PART NO.													
		SCALE : 1:1		DO NOT SCALE DRAWING													
			SHEET 1		OF 1												