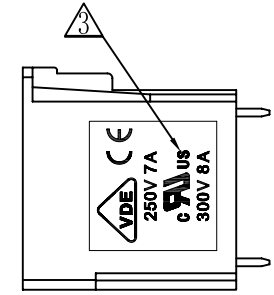
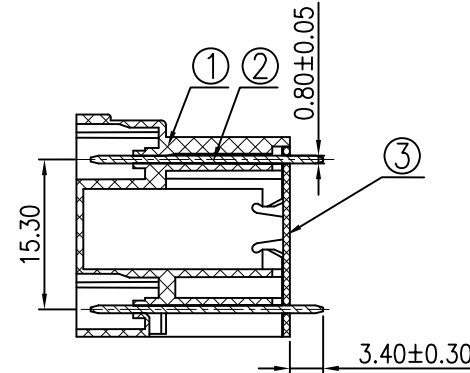
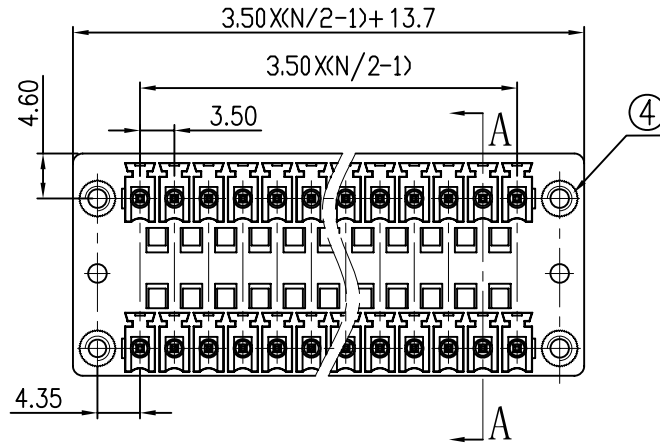
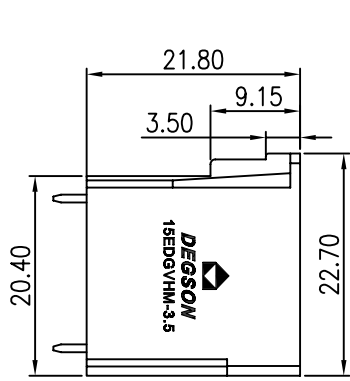


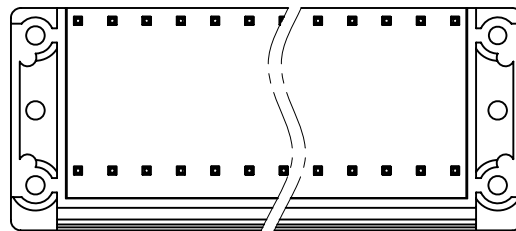
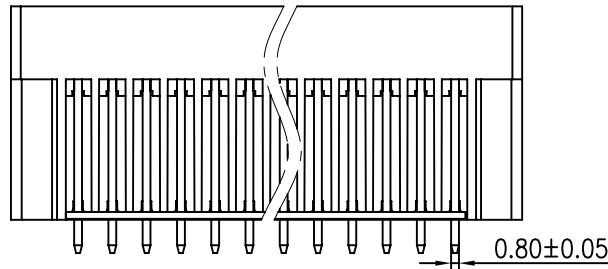
| REVISION RECORD | | | | |
|-----------------|-----|------------------|-------|-----------|
| REV | ECD | DESCRIPTION | DRFT | DATE |
| △ | | 品名、料号增加环保标示“(H)” | LJH | 12/11/07* |
| △ | | 增加UL, CE刻字 | Zengy | 09/04/08* |
| △ | | 增加VDE及参数刻字 | LJH | 02/10/09* |



SECTION A-A

Notes:

- Pitch: 3.5mm, Poles: 4-48P
- Rated voltage/current: UL 300V/8A
VDE 250V/7A
- Operation temperatures: -40°C ~ +105°C
- Withstanding Voltage: AC2000V/1Min
- Insulation Resistance: 5000MΩ / DC1000V
- Undimensioned Tolerances:



| Pitch range in mm | | Nominal dimension range in mm | | | | | | |
|-------------------|--------|-------------------------------|-------|---------|---------|----------|----------|---------|
| | over 6 | over 10 | | over 30 | over 60 | over 100 | over 150 | ∩ |
| to 6 | to 10 | to 24 | to 30 | to 60 | to 100 | to 150 | | ◇ |
| ±0.10 | ±0.15 | ±0.25 | ±0.2 | ±0.3 | ±0.5 | ±0.7 | ±1.0 | 0.05/10 |

| | | | | | |
|---|-----------------|----------------|---|-------|---------|
| 4 | 2EDG-Screw cap | S000000040 (H) | 4 | Brass | |
| 3 | 15EDGV/RH-Cover | 1063C0YXXA (H) | 1 | PA66 | UL94V-0 |

| 2 | 15EDGVH-Pin | 1063B00030 (H) | XX | Brass | SeCn plated |
|------|------------------|----------------|------|----------|-------------|
| 1 | 15EDGVHM-Housing | 1081A0YXXA (H) | 1 | PA66 | UL94V-0 |
| ITEM | NAME OF PART | NO. OF PART | Q'TY | MATERIAL | NOTES |

| | | | | |
|----------------|----------------------------|------------|---|---|
| DETACHED LISTS | MM (INCH) | DFTD LTK | DATE 11/16/06* | 宁波高正电子有限公司 DEGSON ELECTRONICS CO., LTD |
| | TOLERANCES EXCEPT AS NOTED | CHKD | DATE | |
| | | MFD | DATE | |
| | | APPVL | DATE | |
| | MM | | | NAME 15EDGVHM-3.5-XXP-1Y-00A (H) |
| .00 ± | ± | | DRAWING NO. 15EDGVHM-3.5-E01 /PART NO. | |
| .000 ± | ± | | | |
| | ANGLES ± 1° | CHKD: | | DRAWING NO. 15EDGVHM-3.5-E01 /PART NO. |
| | THIRD ANGLE PROJECTION | FINISH: | | DD NOT SCALE DRAWING SHEET 1 OF 1 |
| | | SCALE: 1:1 | | |