
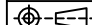


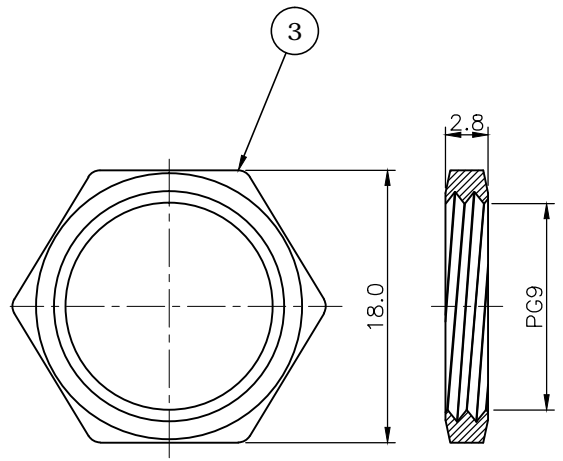
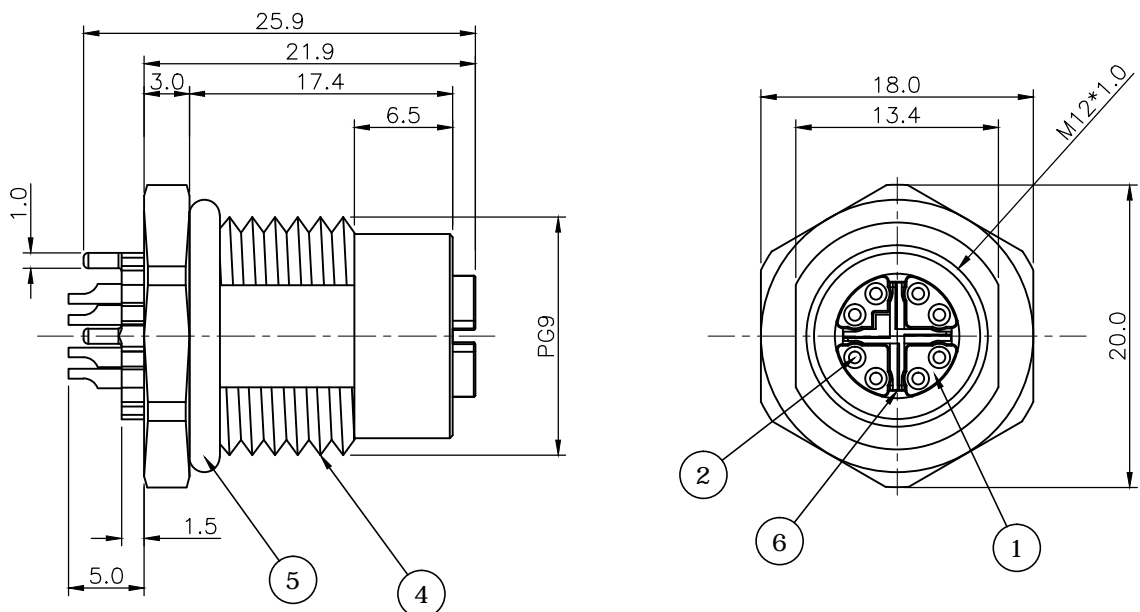
REV.	DESCRIPTION	DRAWN	DATE
1	INITIAL RELEASE	FROS	2015/08/17
2	CORRECTED	TIM	2017/05/09
3	ECR220421001	TIM	2022/04/21

SPECIFICATION:

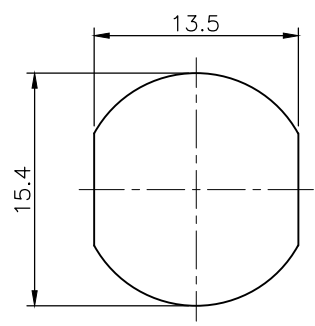
1. Current Rating: 0.5A
2. Voltage Rating: 50 V AC / 60 V DC
3. Water proof: IPX7
4. Operation Temperature: -40°C TO 85°C

6	X-SHELL	ZINC ALLOY, NICKEL PLATED
5	O-RING	EPDM
4	SHELL	BRASS, NICKEL PLATED
3	NUT	BRASS, NICKEL PLATED
2	CONTACT	BRASS, 10u" GOLD UNDER NICKEL PLATED
1	HOUSING	PA66 UL94V-0, BLACK
NO.	PART NAME	DESCRIPTION

UNLESS OTHERWISE SPECIFIED TOLERANCE				 WWW.ATTEND.COM.TW	
UNIT:	DECIMAL	LINEAR	ANGLES		
mm	X.	±0.50	±5°		
	X.X	±0.25	±3°		
	X.XX	±0.12	±1°		
DRAWN	Fros	2015/08/17	DRAWN NAME:		
CHECKED	Zola	2015/08/17	Water Proof M12 8Pin Socket, X-Code Front Fastened, 10u" Wire Type		
APPROVED	Ken	2015/08/17	PRODUCT NO.	216X-08FAF	
	SCALE	SHEET	SIZE	FILE NAME	
	2/1	1/1	A4	216X-08FAF_B_3	



NUT



RECOMMEND PANEL CUT OUT