

REV.	ECN NO.	DESCRIPTION	SIGN	DATE
D1	N/A	INITIAL DRAWING	Wu.Xi	2013/04/10

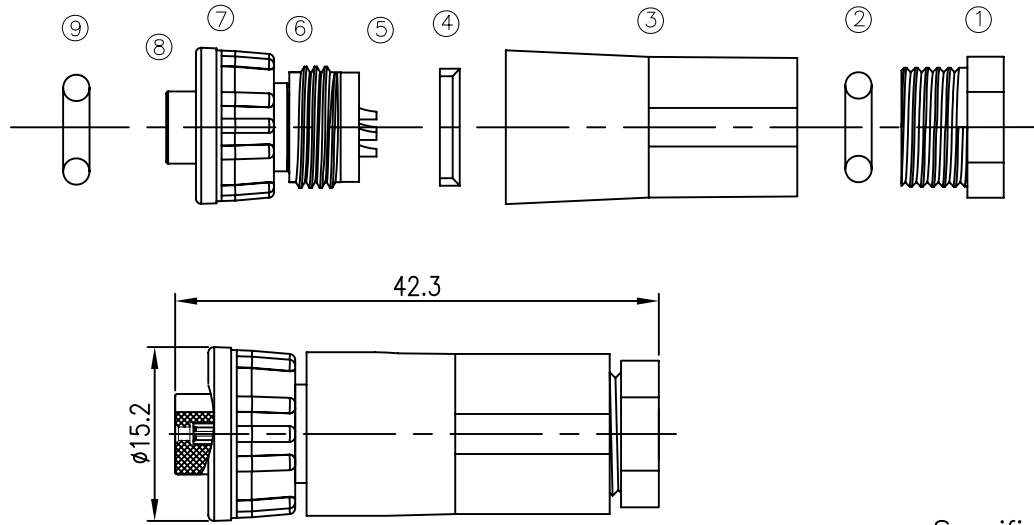


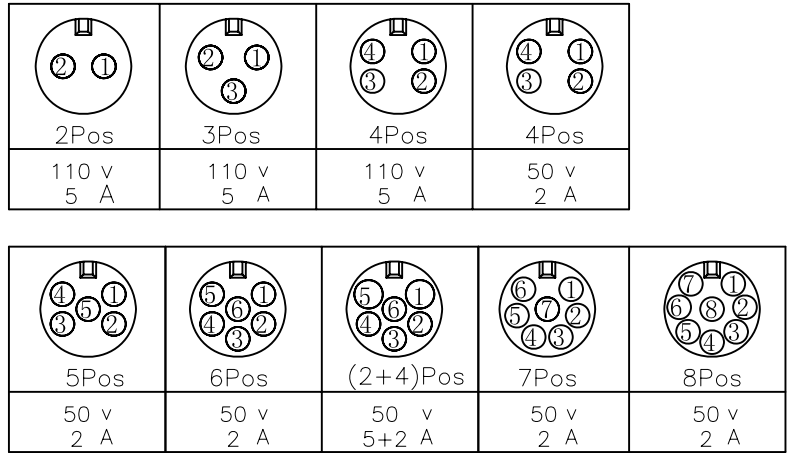
Table 1

Position No.	Connector Part No.	8 Housing Part No.	5 Contact		
			Contact Part No.	Q'ty	Contact Description
2	21002211-01	102-00144-00	302-00017-02	2	MINIS1.0
3	21003211-01	102-00146-00	302-00017-02	3	MINIS1.0
4	21004211-01	102-00150-00	302-00015-02	4	8ZS1.0
4	21004211-02	102-00149-00	302-00035-02	4	MZS0.8
5	21005211-01	102-00152-00	302-00035-02	5	MZS0.8
6	21006211-01	102-00154-00	302-00035-02	6	MZS0.8
2+4	21204211-01	102-00143-00	302-00015-02	2	8ZS1.0
			302-00035-02	4	MZS0.8
7	21007211-01	102-00156-00	302-00035-02	7	MZS0.8
8	21008211-01	102-00158-00	302-00035-02	8	MZS0.8

Specification:

- 1.Operation temperature:-45°C~105°C.
- 2.Insulation resistance:100MΩ at DC500V.
- 3.Contact resistance:<10mΩ.
- 4.Waterproof:IP67.
- 5.RoHS compliant.
- 6.Mating Waterproof Cap P/N:806-00057-00.
- 7.Mating Connector P/N:21XXX311-XX or 21XXX313-XX-001 or 21XXX515-XX.

Table 2 (Hole Arrangement, Mating Face)



Material List

No.	Material No.	Q'ty	Material Description	Remark
1	109-00003-00	1	Mini Seals Nut	
2	501-00009-00	1	O-ring φ10*2.4	
3	108-00022-00	1	Mini Clamp Ring	
4	503-00020-00	1	103 Gasket	
5	See above table 1		Contact	
6	114-00002-00	1	Mini Nut Converter	
7	107-00007-00	1	Mini Screw Nut	
8	See above table 1	1	Mini-XX Pos Housing	
9	501-00004-00	1	O-ring φ8*1.0	

UNIT:mm

Description: Mini Series Screw Assembled, Socket Male Connector

TOLERANCE: .X ±0.25, .XX ±0.15, .XXX ±0.05, ANGLES ±1°

SCALE: N/A SHEET 1 OF 1

REV. D1 SIZE A4 * :Inspection Item

CHOGORI

PART NO: 21XXX211-01(02) DRAWN BY: Wu.Xi DATE: 2013-04-10

DWG NO: CHECKED BY: DATE:

CUSTOMER: APPROVED BY: DATE:

THIS INFORMATION IS CONFIDENTIAL AND IS DISCLOSED TO YOU ON CONDITION THAT NO FURTHER DISCLOSURE IS MADE BY YOU TO OTHER THAN CHOGORI PERSONNEL WITHOUT AUTHORIZATION FROM CHOGORI CORP.