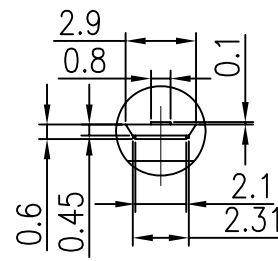
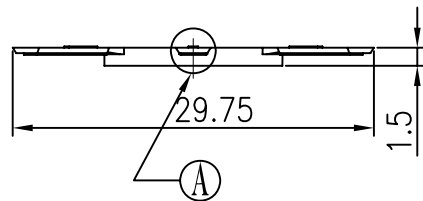
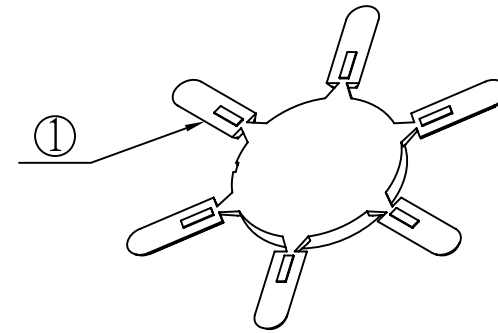
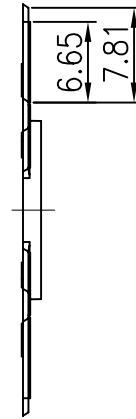
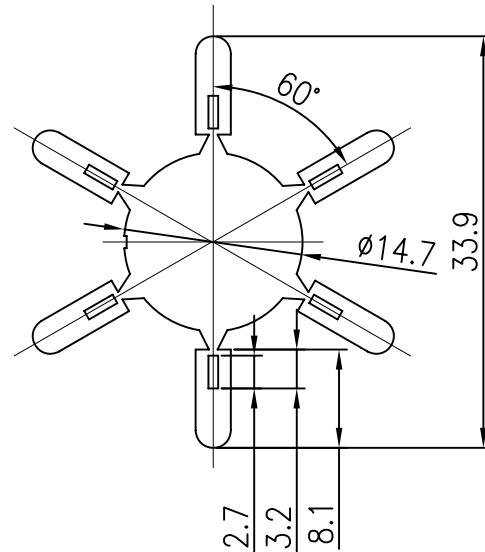


REVISION RECORD				
REV	ECO	DESCRIPTION	DRFT	DATE



Detail A  
Scale 2:1

Notes:

- 1、Poles:6P;
- 2、The burr must control within 0.05mm;
- 3、Cosmetic surfaces couldn't showed  
Deburring, Flash, Melting mark, shrinkage,  
etc on the parts;
- 4、Undimensioned Tolerances:

Pitch range in mm		Nominal dimension range in mm					—	
to	over	to	over	to	over	over	—	
6	10	6	10	30	60	100	150	∩
6	10	24	30	60	100	150	—	◇
±0.10	±0.15	±0.25	±0.2	±0.3	±0.5	±0.7	±1.0	0.05/10

注:产品需与客户需求插针插头实配

1	2EDG-PWI-00A-Housing	1016J1606A (H)	1	POM	UL94V-2
ITEM	NAME OF PART	NO. OF PART	Q"TY	MATERIAL	NOTES
DETACHED LISTS	MM (INCH)	DFTO Apple	DATE 09/01/09*	宁波高正电子有限公司 DEGSON ELECTRONICS CO., LTD	
	TOLERANCES EXCEPT AS NOTED	CHKD	DATE		
	MM	MFO	DATE	NAME 2EDG-PWI-06P-16-00A (H)	
	.0 ± ±	APPVL	DATE		
	.00 ± ±	MATERIAL :			
.000 ± ±	G.E :		DRAWING NO. 2EDG-PWI-E01	SIZE A3	REV TO 09/01/09*
ANGLES ± 1°	FINISH :		/PART NO.		
THIRD ANGLE PROJECTION	SCALE : 1:1		DO NOT SCALE DRAWING	SHEET 1	OF 1