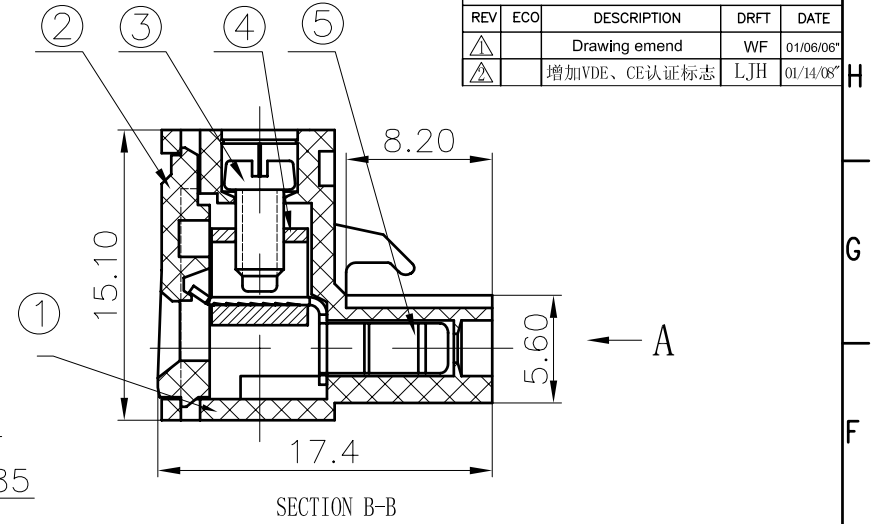


5	2EDG Contact	1005B00010 (H)	XX	Phosbor bronze	Ni plated
4	DG128 Brass Cage	X000000020 (H)	XX	Brass	Ni plated
3	2EDG "—"Screws-M2.5	S000001370 (H)	XX	Steel	Cr <sup>3+</sup> Zn
2	2EDGK-7.5-Cover	1017C0YXXA (H)	1	PA66	UL94V-0



Notes:

1. Pitch: 7.50mm Poles:2-12p
2. Rated voltage/current:UL 300V/15A  
VDE 400V/20A
3. Insulation resistance: 5000MΩ/DC1000V
4. Withstanding voltage: AC2000V/1Min
5. Wire range: 28-12AWG 2.5mm<sup>2</sup>
6. Temp. Range: -40° C~+105° C
7. Torque: 4.08kgf.cm(3.61lb.in)
8. Undimensioned Tolerances:

Pitch range in mm		Nominal dimension range in mm							
	over 6	over 10		over 30	over 60	over 100	over 150	∩	
to	to 10	to 24	to 30	to 60	to 100	to 150		◇	
	±0.10	±0.15	±0.25	±0.2	±0.3	±0.5	±0.7	±1.0	0.05/0.10

1	2EDGK-7.5-Housing	1017A0YXXA (H)	1	PA66	UL94V-0
ITEM	NAME OF PART	NO.OF PART	Q'TY	MATERIAL	NOTES
TOLERANCES EXCEPT AS NOTED		DFTO Haoyh	DATE 10/07/05	DEGSO 宁波高正电子有限公司 DEGSO ELECTRONICS CO., LTD	
MM (INCH)		CHKD	DATE	NAME	
.0 ±		MFO	DATE	2EDGK-7.5-XXP-1Y-00A(H)	
.00 ±		APPLV	DATE	DRAWING NO. 2EDGK-7.5-E02	
.000 ±		MATERIAL :		/PART NO.	
ANGLES ± 1°		G.E :		SIZE A3	
THIRD ANGLE PROJECTION		FINISH :		REV T2	
		SCALE : 1:1		01/14/08	
DO NOT SCALE DRAWING				SHEET 1 OF 1	