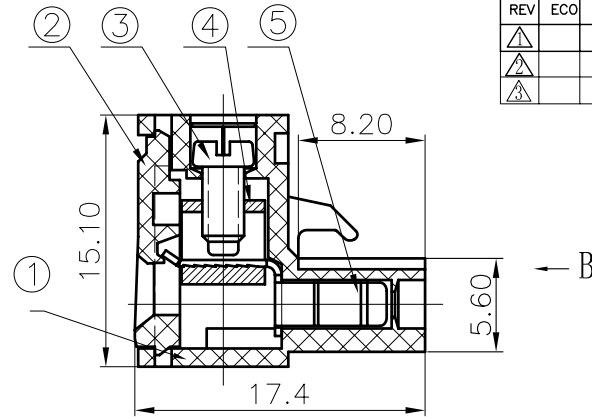


5	2EDG Clamp	1005B00010 (H)	XX	Phospor bronze	Ni plated
4	DG128 Brass cage	X000000020 (H)	XX	Brass	Ni plated
3	2EDG "-" Screws-M2.5	S000001370 (H)	XX	Steel	Cr ³⁺ Zn
2	2EDGK-7.62-Cover	1006C0YXXA (H)	1	PA66	UL94V-0



SECTION A-A

Notes:

- Pitch: 7.62mm Poles:2-12p
- Rated voltage/current:UL 300V/15A
VDE 400V/20A
- Insulation resistance: 5000MΩ/1000V
- Withstanding voltage: AC1500V/1Min
- Wire range: 28-12AWG 2.5mm²
- Temp. Range: -40° C~+105° C
- Torque: 4.08kgf.cm(3.61lb.in)
- Undimensioned Tolerances:

Pitch range in mm		Nominal dimension range in mm						
	over 6	over 10		over 30	over 60	over 100	over 150	—
to	to 10	to 24	to 30	to 60	to 100	to 150		⌒
	±0.10	±0.15	±0.25	±0.2	±0.3	±0.5	±0.7	±1.0
								0.05/10

1	2EDGK-7.62-Housing	1006A0YXXA (H)	1	PA66	UL94V-0
ITEM	NAME OF PART	NO. OF PART	Q"TY	MATERIAL	NOTES
	MM (INCH)	DFTO DZJ	DATE 09/26/05"	宁波高正电子有限公司 DEGSON ELECTRONICS CO., LTD NAME 2EDGK-7.62-XXP-1Y-00A(H) DRAWING NO. 2EDGK-7.62-E05 /PART NO. SIZE A3 REV T3 01/14/08"	
TOLERANCES EXCEPT AS NOTED		CHKD	DATE		
		MFO	DATE		
		APPVL	DATE		
ANGLES ± 1'		G.E :		MATERIAL :	
THIRD ANGLE PROJECTION		FINISH :		SCALE : 1:1	
DO NOT SCALE DRAWING			SHEET 1 OF 1		