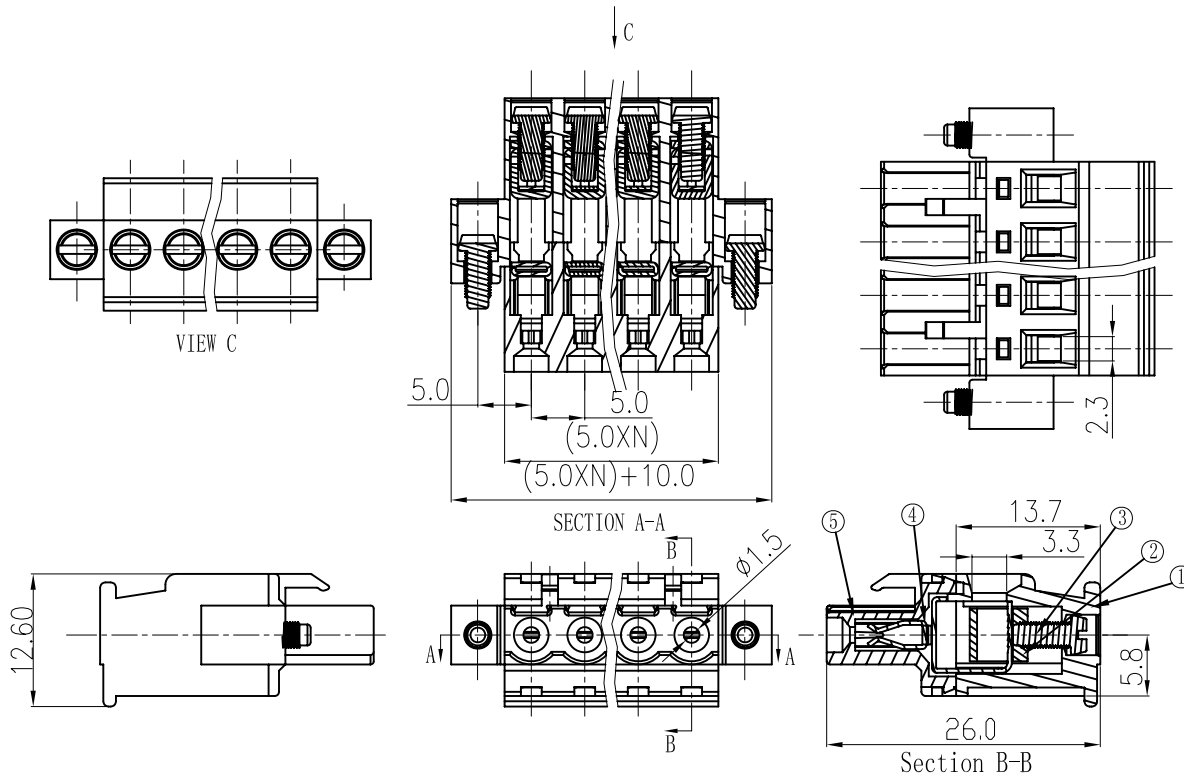


REVISION RECORD				
REV	ECO	DESCRIPTION	DRFT	DATE
△		Drawing emend	CSX	04/18/06*
△		工程变更	CSX	11/30/06*
△		增加UL刻字	CSX	04/05/07*
△		品名、料号增加环保标示“(H)”	LJH	12/11/07*
△		增加VDE, CE刻字	WLM	02/12/09*



Notes:

- Pitch:5.0mm , Poles:2-22P
- Rated voltage/current:UL 300V/15A  
VDE 320V/10A
- Operation temperatures:-45°C~+105°C
- Withstanding Voltage:AC2000V/1min
- Insulation Resistance:5000Ω/DC1000V
- Wire Range:28~12AWG, 2.5mm<sup>2</sup>
- Max. Torque Value:M2.5, 4.08kgf. cm
- Undimensioned Tolerances:

Pitch range in mm		Nominal dimension range in mm					
to	over	to	over	to	over	to	
6	10	30	60	100	150		∩
6	10	30	60	100	150		∇
±0.10	±0.15	±0.25	±0.2	±0.3	±0.5	±0.7	±1.0
							0.05/10

5	2EDGKA/B-5.0 COVER	1030COYXXA (H)	1	PA66	UL94V-0
4	2EDGKA/B-CLAMP	1028B00010 (H)	XX	Phosnor Bronze	Ni plated
3	2EDG SCREW-M2.5	S000000980 (H)△	XX+2	STEEL	Cr <sup>3+</sup> Zn
2	DG128 CAGE	X000000020 (H)	XX	BRASS	Ni plated

1	2EDGKAM/BM-5.0 HOUSING	1031A0YXXA (H)	1	PA66	UL94V-0
ITEM	NAME OF PART	NO. OF PART	Q"TY	MATERIAL	NOTES
	← MM (INCH) →	DFTO WYP	DATE 06/28/04"	宁波高正电子有限公司 DEGSON ELECTRONICS CO., LTD NAME: 2EDGKAM-5.0-XXP-1Y-00A(H)	
	TOLERANCES EXCEPT AS NOTED	CHKD	DATE		
	MM	MFO	DATE		
	INCH	APPVL	DATE		
	.0 ±			DRAWING NO. 2EDGKAM-5.0-E01	
	.00 ±			SIZE A3	
	.000 ±			REV T5 02/12/09*	
	ANGLES ± 1°	G.E :		DRAWING NO. 2EDGKAM-5.0-E01	
	THIRD ANGLE PROJECTION	FINISH :		/PART NO.	
		SCALE :		DO NOT SCALE DRAWING	
				SHEET 1 OF 1	