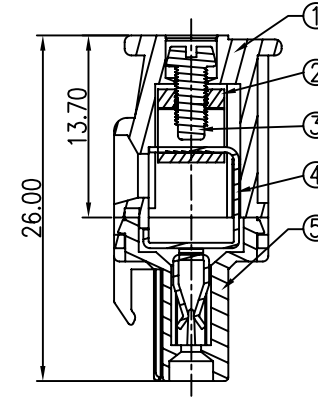
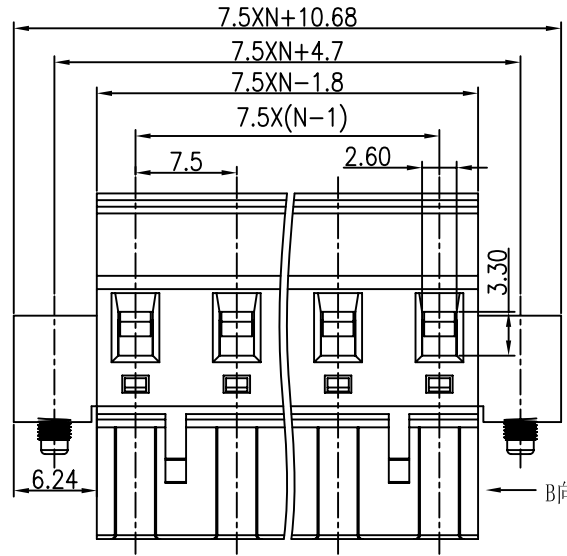
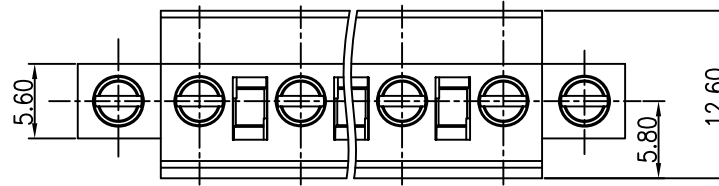


REVISION RECORD				
REV	ECO	DESCRIPTION	DRFT	DATE
△		料号变更:由S000001370变更为S000000980	Yangys	01.12.07
△		品名、料号增加环保标示“(H)”	LJH	12/11/07
△		增加VDE刻字	WLM	11/13/08

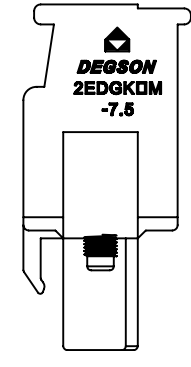
Notes:

- Pitch:7.5mm, Poles:2-12P
- Rated voltage/current : UL 300V/15A
VDE 400V/10A
- Operation temperatures : -40° C~+105° C
- Insulation resistance: 5000MΩ/DC1000V
- Withstanding voltage : AC2000V/1Min
- Wire Range:28~12AWG , 2.5mm²
- Max. Torque Value:M2.5, 4.08kgf.cm
- Undimensioned Tolerances:

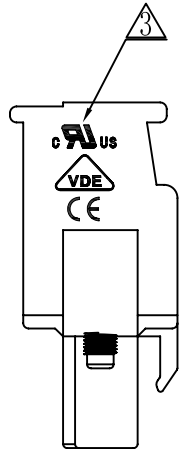
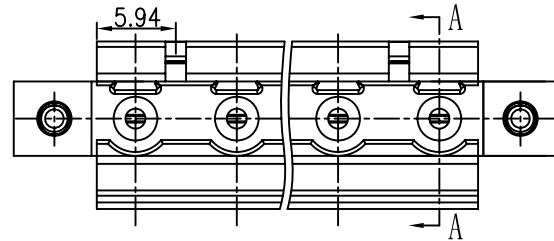
Pitch range in mm		Nominal dimension range in mm					
to	over	over	over	over	over		
6	6 to 10	10 to 24	30 to 30	60 to 60	100 to 100	150	
±0.10	±0.15	±0.25	±0.2	±0.3	±0.5	±0.7 ± 1.0	
						0.05/10	



SECTION A-A



B向



5	2EDGKA-7.5 Cover	1052COYXXA (H)	1	PA66	UL94V-0
4	2EDGKA-Clamp	1028B00010 (H)	XX	Phosphor bronze	Ni plated
3	2EDGK Screw"-M2.5	△ S000000980 (H)	XX+2	Steel	Cr ³⁺ Zn
2	DG128 CAGE	X000000020 (H)	XX	Brass	Ni plated

1	2EDGKAM-7.5 housing	1083A0YXXA (H)	1	PA66	UL94V-0
ITEM	NAME OF PART	NO. OF PART	Q'TY	MATERIAL	NOTES
DETACHED LISTS	MM (INCH)	DFTO Zhuwm	DATE 09/27/06"	宁波高正电子有限公司 DEGSON ELECTRONICS CO., LTD NAME 2EDGKAM-7.5-XXP-1Y-00A (H)	
	TOLERANCES EXCEPT AS NOTED	CHKD	DATE		
		MFO	DATE		
		APPVL	DATE		
	MM			MATERIAL :	
	.0 ±	±		G.E :	
	.00 ±	±		FINISH :	
	.000 ±	±		SCALE : 1:1	
	ANGLES ± 1°			DO NOT SCALE DRAWING	
	THIRD ANGLE PROJECTION			SHEET 1	OF 1