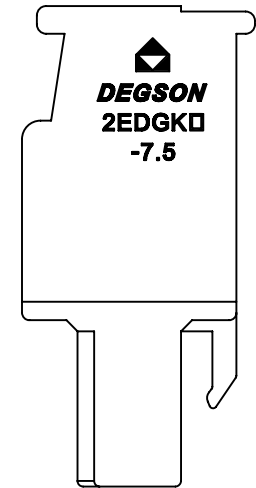
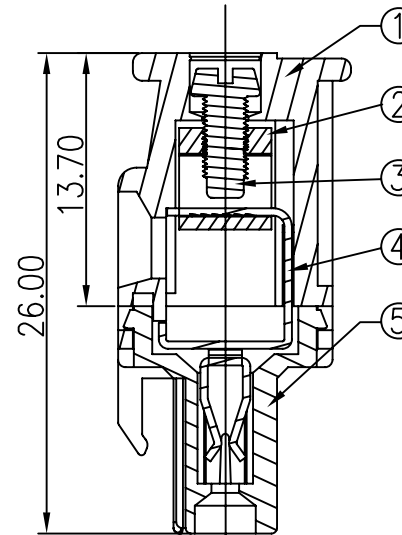
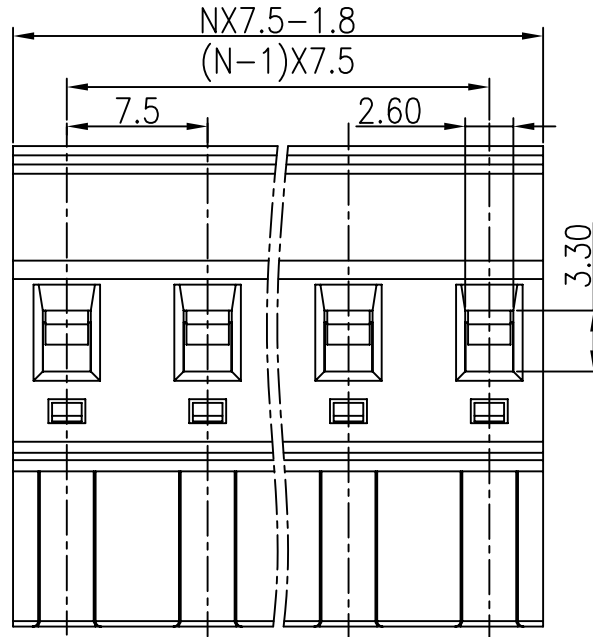
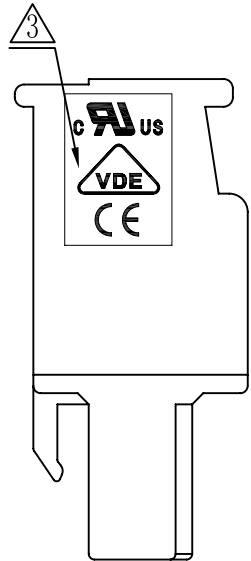


- Notes:
- Pitch: 7.5mm, Poles: 2-12P
  - Rated voltage/current: UL 300V/15A  
VDE 400V/10A
  - Operation temperatures: -40°C ~ +105°C
  - Withstanding Voltage: AC2000V/1min
  - Insulation Resistance: 5000MΩ/DC1000V
  - Wire Range: 28~12AWG, 1~2.5mm<sup>2</sup>
  - Max. Torque Value: M2.5, 4.08kgf.cm
  - Undimensioned Tolerances:

REVISION RECORD				
REV	ECO	DESCRIPTION	DRFT	DATE
△		料号变更:由S000001370变更为S00000980	Yangjs	01.12.07*
△		品名、料号增加环保标示“(H)”	LJH	12/11/07*
△		增加VDE, CE刻字	Zengy	11/19/08*

Pitch range in mm		Nominal dimension range in mm					—
over 6 to 10	over 10 to 24	to 30	over 30 to 60	over 60 to 100	over 100 to 150	over 150	
±0.10	±0.15	±0.25	±0.2	±0.3	±0.5	±0.7	
						±1.0	
						0.05/10	



3	2EDGK Screw "M2.5	S00000980 (H)	XX	Steel	Cr <sup>3+</sup> Zn
2	DG128 CAGE	X00000020 (H)	XX	Brass	Ni plated
1	2EDGKA-7.5 housing	1052A0YXXA (H)	1	PA66	UL94V-0
ITEM	NAME OF PART	NO. OF PART	Q'TY	MATERIAL	NOTES

← MM (INCH) →	DFTO Zhuwm	DATE 09/27/06*
TOLERANCES EXCEPT AS NOTED	CHKD	DATE
	MFO	DATE
MM .0 ±	APPVL	DATE
.00 ±		
.000 ±		
ANGLES ± 1°	G.E :	
THIRD ANGLE PROJECTION	FINISH :	
	SCALE : 1:1	

宁波高正电子有限公司  
 DEGSON ELECTRONICS CO., LTD

NAME  
2EDGKB-7.5-XXP-1Y-00A (H)

DRAWING NO. 2EDGKB-7.5-E01      SIZE A3      REV T3 11/19/08\*

/PART NO.

DO NOT SCALE DRAWING      SHEET 1 OF 1

5	2EDGKA-7.5 Cover	1052COYXXA (H)	1	PA66	UL94V-0
4	2EDGKA-Clamp	1028B00010 (H)	XX	Phosphor bronze	Ni plated