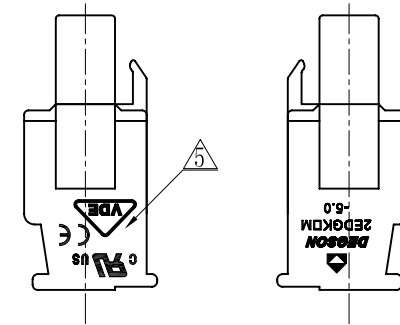
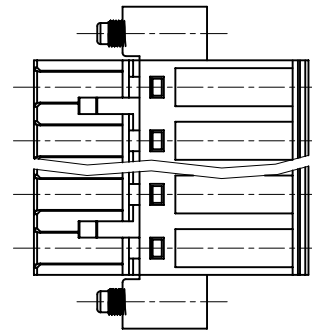
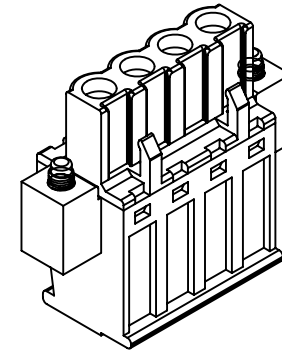
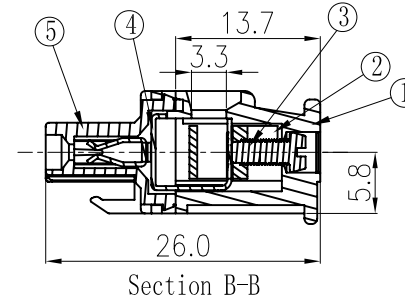
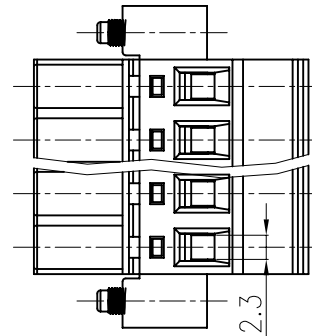
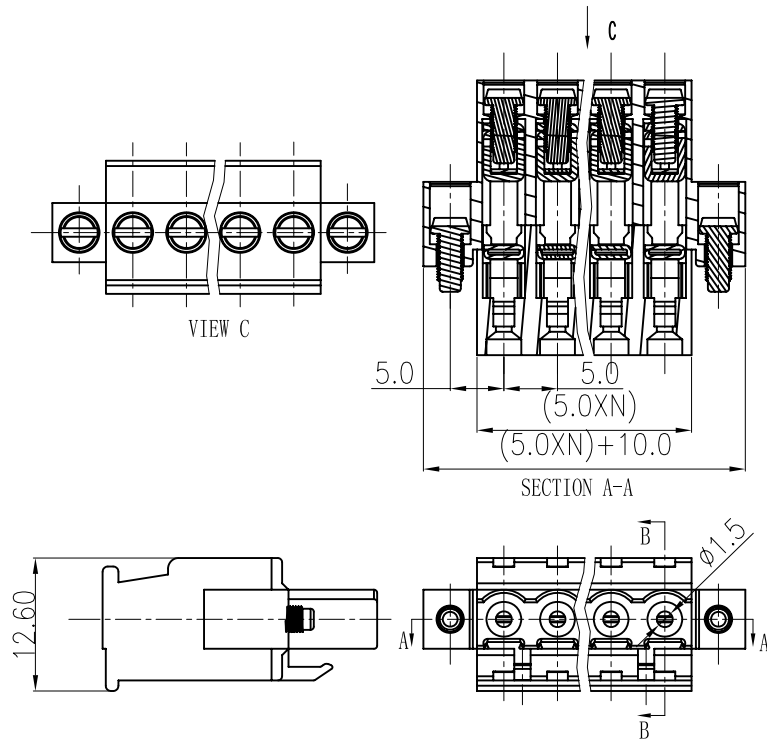


REVISION RECORD				
REV	ECO	DESCRIPTION	DRFT	DATE
△		Drawing emend	CSX	04/18/06
△		工程变更	CSX	11/30/06
△		增加UL刻字	CSX	04/05/07
△		品名、料号增加环保标示“(H)”	LJH	12/11/07
△		增加VDE, CE刻字	WLM	02/12/09



Notes:

- Pitch:5.0mm ,Poles:2-22P
- Rated voltage/current:UL 300V/15A  
VDE 320V/10A
- Operation temperatures:-45°C~+105°C
- Withstanding Voltage:AC2000V/1min
- Insulation Resistance:5000 Ω/DC1000V
- Wire Range:28~12AWG, 2.5mm<sup>2</sup>
- Max. Torque Value:M2.5, 4.08kgf. cm
- Undimensioned Tolerances:

Pitch range in mm		Nominal dimension range in mm					
to 6	over 6 to 10	over 10 to 24	to 30	over 30 to 60	over 60 to 100	over 100 to 150	—
±0.10	±0.15	±0.25	±0.2	±0.3	±0.5	±0.7	±1.0 <sup>0.006/0</sup>

5	2EDGKA/B-5.0 COVER	1030COYXXA (H)	1	PA66	UL94V-0
4	2EDGKA/B-CLAMP	1028B00010 (H)	XX	Phosbor Bronze	Ni plated
3	2EDG SCREW-M2.5	S000000980 (H) △	XX+2	Steel	Cr <sup>3+</sup> Zn
2	DG128 CAGE	X000000020 (H)	XX	Brass	Ni plated

1	2EDGKA/BM-5.0 HOUSING	1031A0YXXA (H)	1	PA66	UL94V-0
ITEM	NAME OF PART	NO. OF PART	Q'TY	MATERIAL	NOTES
DETACHED LISTS	MM (INCH)	DFTO WYP	DATE 06/28/04"	宁波高正电子有限公司 DEGSON ELECTRONICS CO., LTD NAME 2EDGKBM-5.0-XXP-1Y-00A(H) DRAWING NO. 2EDGKBM-5.0-E01 /PART NO. SIZE A3 REV T5 02/12/09"	
	TOLERANCES EXCEPT AS NOTED		CHKD DATE		
	MM		MFO DATE		
	.0 ±		APPVL DATE		
.00 ±		MATERIAL :		DO NOT SCALE DRAWING	
.000 ±		ANGLES ± 1'		SHEET 1 OF 1	
THIRD ANGLE PROJECTION		FINISH :			
		SCALE :			