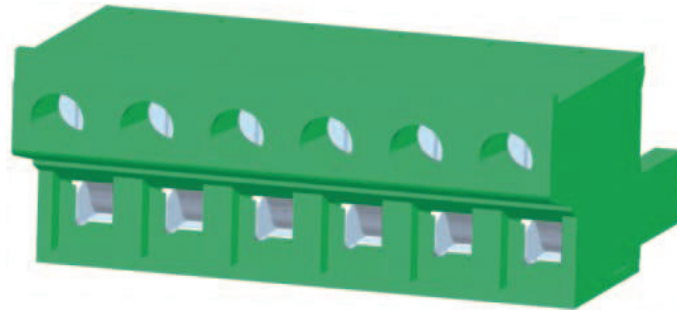


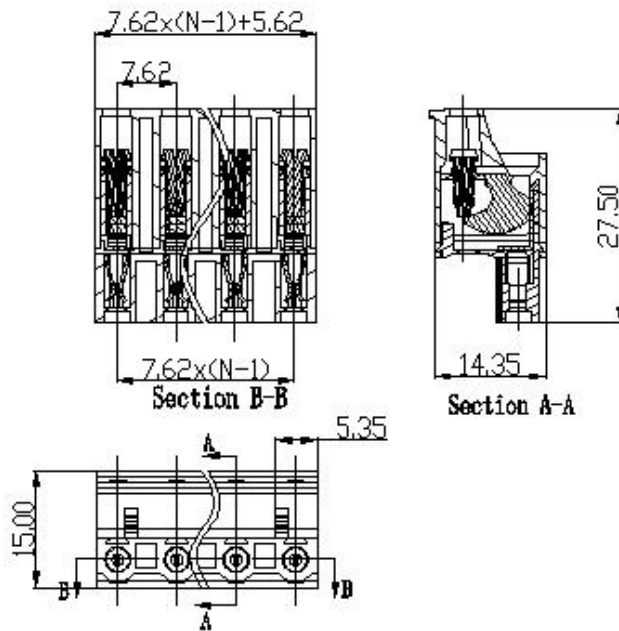


DEGSON ELECTRONICS CO., LTD.

Product Specification



2EDGKC-7.62



APPROVAL		
Electrical		
Standard	UL	IEC
Rated voltage	300V	400V
Rated current	10A	20A
Wire range	28-12AWG	2.5mm ²
Withstanding voltage	AC2500V/1Min	
Mechanical		
Torque	0.4Nm(3.5Lb-In)	
Ambient temperature	-40°C~+105 °C	
Strip length	10mm	
Dimensions		
Pitch	7.62mm(.197")	
Poles	2P-12P	
Material		
Housing	PA66,UL94 V-0	
Screws	M2.5,Steel,Cr ³⁺ Zn-plated	
Contact	Phosphor bronze	
Cage	Steel,Cr ³⁺ Zn-plated	

HOW TO ORDER :

Ordering format: - P - -

X	X	X
---	---	---

 Customer Request

Series number: No. of pole: Color:

1 Grey	4 Green	7 Trans Parent
2 Blue	5 Orange	8 Yellow
3 Black	6 Red	9 White

Legend for No. of pole:

1	Single pitch
2	Double pitch

	DEGSON ELECTRONICS CO., LTD.
	NAME 2EDGKC-7.62