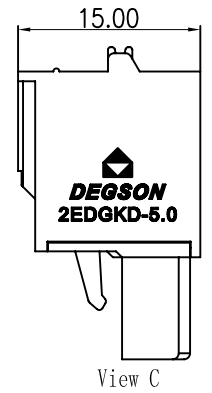
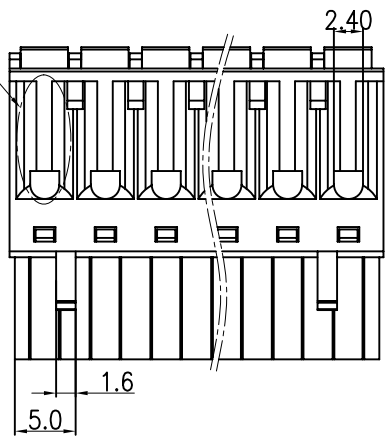
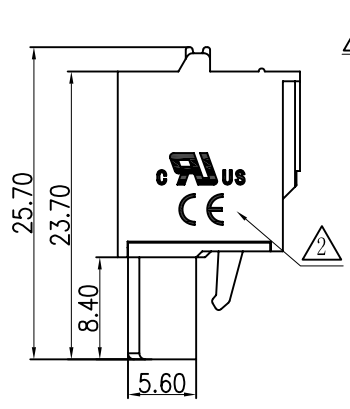
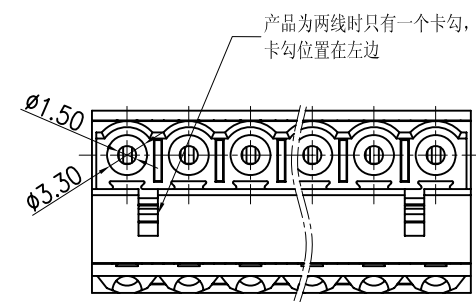
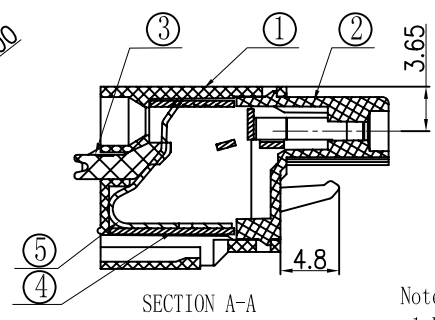
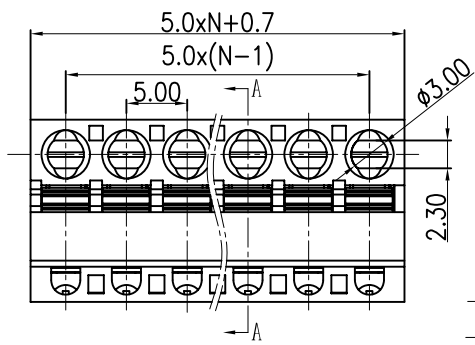
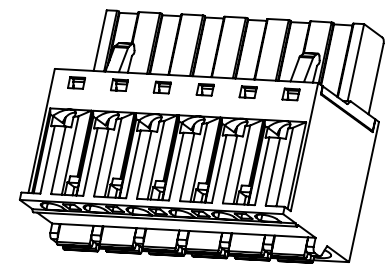
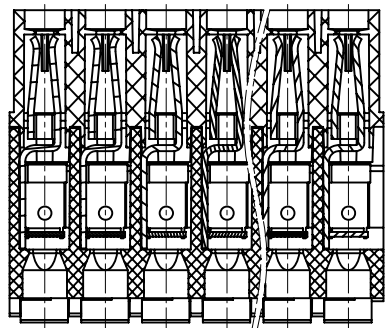


REVISION RECORD				
REV	ECO	DESCRIPTION	DRFT	DATE
△		图面整理	Apple	04/07/08
△		增加UL刻字	Zengy	01/06/10
△	0-0270	修改外型	Golden	08/20/10
△	10-0032	弹片由X000001320变更为X00004810	Apple	09/30/10



- Notes:
- Pitch: 5.0mm , Poles: 2-24P
 - Rated voltage/current: UL 300V/10A IEC 250V/20A
 - Operation temperatures: -40°C ~ +105°C
 - Withstanding Voltage: AC2500V/1min
 - Insulation Resistance: 5000MΩ / DC1000V
 - Wire Range: 26~12AWG, 2.5mm²
 - Undimensioned Tolerances:

Pitch range in mm	Nominal dimension range in mm						—	
	over 6 to 10	over 10 to 24	over 30 to 60	over 60 to 100	over 100 to 150	over 150		
to 6	to 10	to 24	to 30	to 60	to 100	to 150	∩	
±0.10	±0.15	±0.25	±0.2	±0.3	±0.5	±0.7	±1.0	0.005/10

NO.	DESCRIPTION	PART NO.	QTY	MATERIAL	REMARKS
5	2EDGKDF-5.08-Spring	X000004810 (H)	XX	Stainless steel	
4	2EDGKD-5.08-Clamp	1085B00010 (H)	XX	Phosphor bronze	SnCe
3	2EDGKD-5.08-Button	1085D0501A (H)	XX	PA66	UL94V-0
2	2EDGKD-5.0-Cover	1055C0YXXA (H)	1	PA66	UL94V-0

1	2EDGKD-5.0-Housing	1055A0YXXA (H)	1	PA66	UL94V-0												
ITEM	NAME OF PART	NO. OF PART	Q"TY	MATERIAL	NOTES												
<table border="1"> <tr> <td>← MM (INCH) →</td> <td>DFTO Apple</td> <td>DATE 10/20/06</td> </tr> <tr> <td>TOLERANCES EXCEPT AS NOTED</td> <td>CHKD</td> <td>DATE</td> </tr> <tr> <td></td> <td>MFO</td> <td>DATE</td> </tr> <tr> <td></td> <td>APPVL</td> <td>DATE</td> </tr> </table>		← MM (INCH) →	DFTO Apple	DATE 10/20/06	TOLERANCES EXCEPT AS NOTED	CHKD	DATE		MFO	DATE		APPVL	DATE	宁波高正电子有限公司 DEGSON ELECTRONICS CO., LTD			
← MM (INCH) →	DFTO Apple	DATE 10/20/06															
TOLERANCES EXCEPT AS NOTED	CHKD	DATE															
	MFO	DATE															
	APPVL	DATE															
DETACHED LISTS		NAME: 2EDGKD-5.0-XXP-1Y-00A(H)															
<table border="1"> <tr> <td>MM</td> <td>±</td> </tr> <tr> <td>.0 ±</td> <td>±</td> </tr> <tr> <td>.00 ±</td> <td>±</td> </tr> <tr> <td>.000 ±</td> <td>±</td> </tr> </table>		MM	±	.0 ±	±	.00 ±	±	.000 ±	±	MATERIAL :		DRAWING NO. 2EDGKD-5.0-E01					
MM	±																
.0 ±	±																
.00 ±	±																
.000 ±	±																
ANGLES ± 1°		G.E :		SIZE A3													
		FINISH :		REV T4													
THIRD ANGLE PROJECTION		SCALE : 1:1		10/30/10													
DO NOT SCALE DRAWING			SHEET 1		OF 1												