

REVISION RECORD

REV	ECN	DESCRIPTION	DRFT	DATE
-----	-----	-------------	------	------

NOTES1:

UL Standard

1. Rated voltage/current : 300V / 10A
2. Withstanding voltage : AC1600V/1Min.
3. Wire range : 26~12AWG

IEC Standard

1.

Pollution degree	2
Overtoltage category	III
Rate impulse voltage(KV)	4.0KV
Rate voltage(V)	320V
Rate current(A)	20A

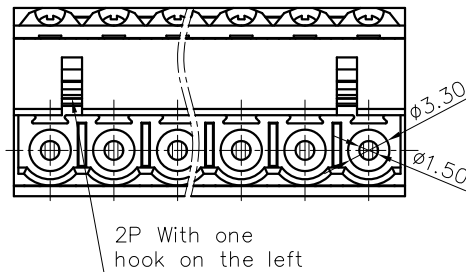
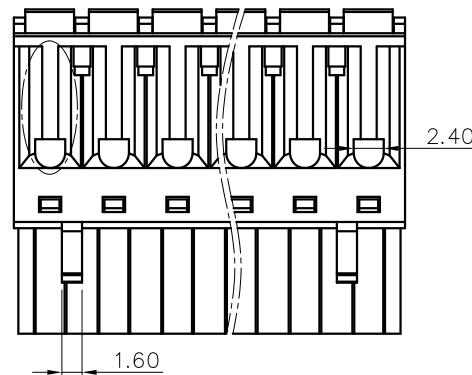
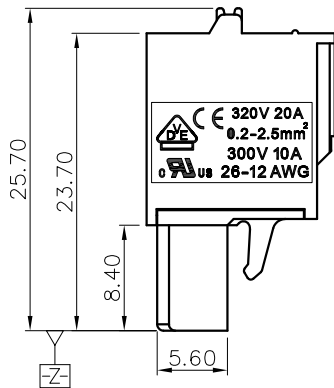
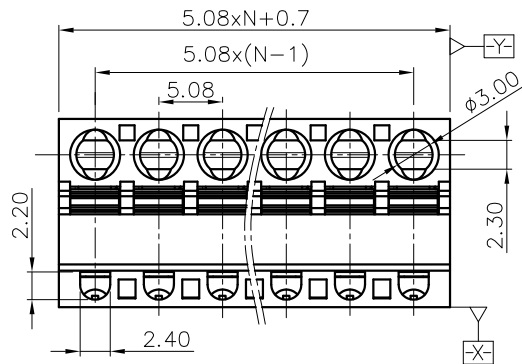
2. Wire range : 0.2~2.5mm²

NOTES2:

1. Dimension shall be interpreted per ASME Y14.5-2009
2. Pitch : 5.08mm, Poles : N=02~16P
3. Stripping length : 9~10mm
4. Operating temperature : -40°C~+105°C
5. Undimensioned tolerances:

Pitch range in mm	Nominal dimension range in mm						0.1/10
	Over 6 TO 10	Over 10 TO 24	Over 30 TO 30	Over 30 TO 60	Over 60 TO 100	Over 100 TO 150	
±0.15	±0.20	±0.30	±0.30	±0.50	±0.70	±1.00	±1.30

6. RoHS Compliance



2EDGKD - 5.08 - XXP - 1Y - 00A (H)
 (RoHS)
 00A-(Standard)
 (Series No.)(Pitch)(Poles)(Single Pitch)(Color):
 1.(Grey)
 2.(Blue)
 3.(Black)
 4.(Green)
 5.(Orange)
 6.(Red)
 7.(Transparent)
 8.(Yellow)
 9.(White)

ITEM	NAME OF PART	MATERIAL	NOTES
5	Spring	Stainless steel	
4	Clamp	Copper alloy	Sn Plated
3	Button	PA66	UL94V-0
2	Cover	PA66	UL94V-0
1	Housing	PA66	UL94V-0

PART NO.: /		宁波高松电子有限公司 NINGBO DEGSON ELECTRICAL CO., LTD	
APPD:	NAME: 2EDGKD-5.08-XXP-1Y-00A(H)		
CHKD:	DRFT: WJW 2017.05.16		
THIRD ANGLE PROJECTION		TITLE: CUSTOMER DRAWING	REV TO
DRAWING NO.: 2EDGKD-5.08-E01		SHEET 1/1	SCALE 1:1
MM (INCH)		DO NOT SCALE DRAWING	SCALE