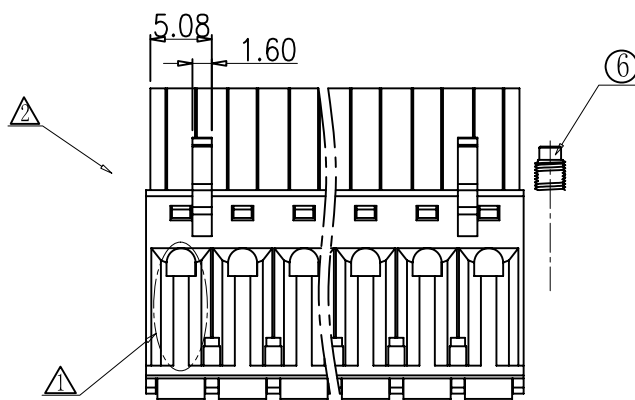
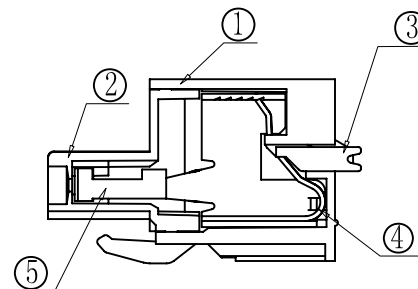
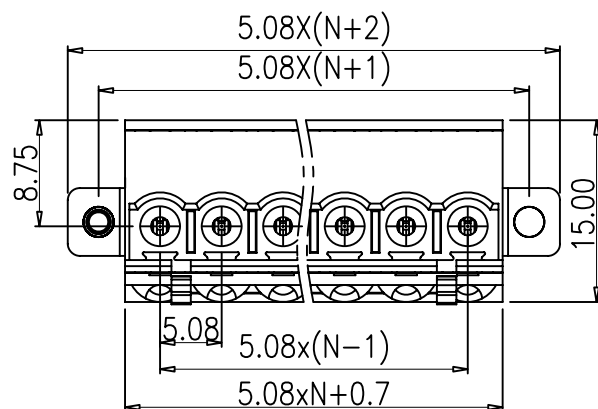
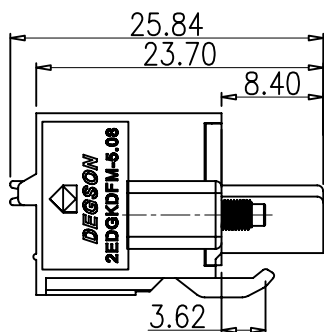
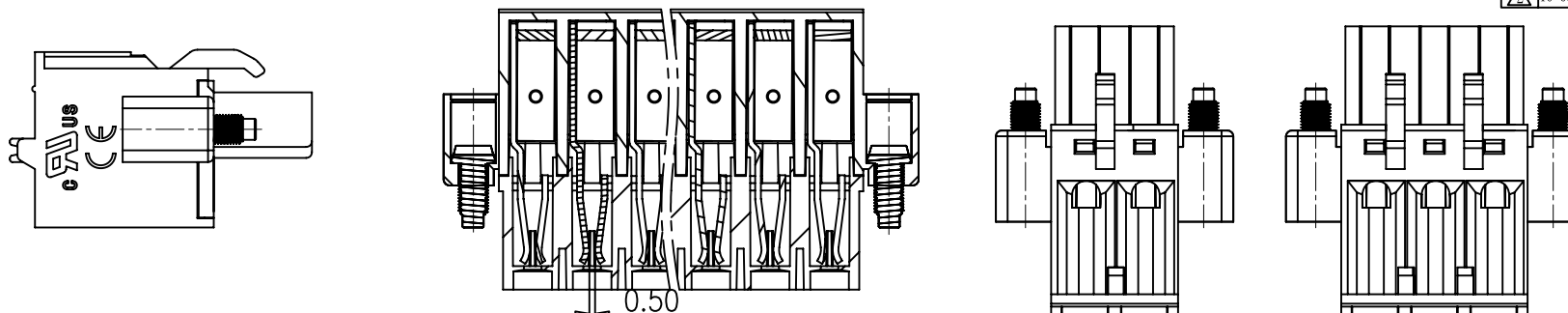


| REVISION RECORD | | | | | |
|-----------------|---------|-------------|--------|----------|--|
| REV | ECN | DESCRIPTION | DRFT | DATE | |
| △ | 10-0266 | 修改外形 | Golden | 08/18/10 | |
| △ | 10-0306 | 更新图面 | Golden | 09/16/10 | |



Notes:

1. Pitch: 5.08mm Poles: 2P-16P
2. Rated voltage/current: UL 300V/10A
IEC 320V/20A
3. Operation temperatures: -40°C ~ +105°C
4. Withstanding Voltage: AC2500V/1Min
5. Insulation Resistance: 5000MΩ/DC1000V
6. Wire Range: 26~12AWG, 2.5mm²
7. Undimensioned Tolerances:

| Pitch range in mm | | Nominal dimension range in mm | | | | | |
|-------------------|---------|-------------------------------|----------|-----------|------------|------|---------|
| to | over | to | over | over | over | ∩ | |
| 6 | 6 to 10 | 10 to 24 | 30 to 60 | 60 to 100 | 100 to 150 | 150 | |
| ±0.10 | ±0.15 | ±0.25 | ±0.2 | ±0.3 | ±0.5 | ±0.7 | ±1.0 |
| | | | | | | | 0.05/10 |

| ITEM | NAME OF PART | NO. OF PART | Q'TY | MATERIAL | NOTES |
|------|---------------------|----------------|------|-----------------|---------------------|
| 6 | 2EDGKDF-5.08-Screw | S000001370 (H) | 2 | Steel | Cr ³⁺ Zn |
| 5 | 2EDGKDF-5.08-Spring | X000004810 (H) | xx | Stainless steel | |
| 4 | 2EDGKDF-5.08-Clamp | 1219B00010 (H) | xx | Phosphor bronze | SnCe |
| 3 | 2EDGKD-5.08-Button | 1085D0501A (H) | xx | PA66 | UL94V-0 |
| 2 | 2EDGKDF-5.08-Cover | 1219C0YXXA (H) | 1 | PA66 | UL94V-0 |

| ITEM | NAME OF PART | NO. OF PART | Q'TY | MATERIAL | NOTES |
|------|-----------------------|----------------|------|----------|---------|
| 1 | 2EDGKDFM-5.08-Housing | 1221A0YXXA (H) | 1 | PA66 | UL94V-0 |

| | | | |
|----------------------------|----------|----------------|---|
| MM (INCH) | DFTO HXG | DATE 02/16/09* | 宁波高正电子有限公司 DEGSON ELECTRONICS CO., LTD |
| TOLERANCES EXCEPT AS NOTED | CHKD | DATE | |
| | MFO | DATE | |
| | APPLV | DATE | |
| MM | | | NAME |
| .0 ± | | | 2EDGKDFM-5.08-XXP-1Y-00A(H) |
| .00 ± | | | DRAWING NO. 2EDGKDFM-5.08-E01 |
| .000 ± | | | /PART NO. |
| ANGLES ± 1° | | | SIZE A3 |
| THIRD ANGLE PROJECTION | | | REV T2 09/16/10* |
| SCALE : 1:1 | | | DO NOT SCALE DRAWING |
| | | | SHEET 1 OF 1 |