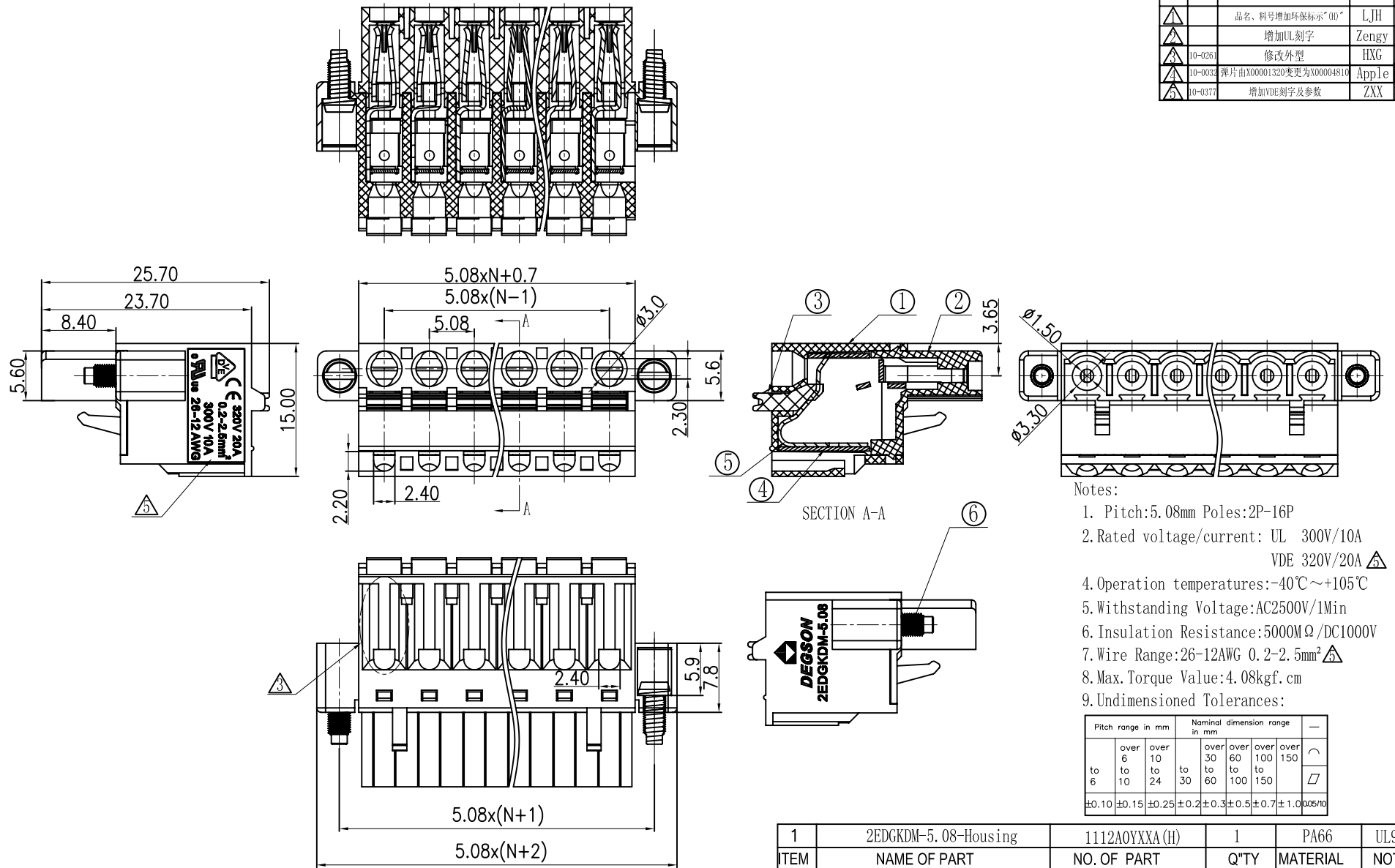


REVISION RECORD				
REV	ECN	DESCRIPTION	DRFT	DATE
△		品名、料号增加环保标示“00”	LJH	12/11/07
△		增加UL刻字	Zengy	12/14/09
△	10-0261	修改外型	HXG	08/16/10
△	10-0033	弹片由X00001320变更为X00004810	Apple	09/30/10
△	10-0377	增加VDE刻字及参数	ZXX	11/12/10



Notes:

1. Pitch:5.08mm Poles:2P-16P
2. Rated voltage/current: UL 300V/10A
VDE 320V/20A △
4. Operation temperatures:-40°C~+105°C
5. Withstanding Voltage:AC2500V/1Min
6. Insulation Resistance:5000MΩ/DC1000V
7. Wire Range:26-12AWG 0.2-2.5mm² △
8. Max. Torque Value:4.08kgf.cm
9. Undimensioned Tolerances:

Pitch range in mm		Nominal dimension range in mm					
to 6	over 6 to 10	over 10 to 24	over 30 to 60	over 60 to 100	over 100 to 150	over 150	∩ □
±0.10	±0.15	±0.25	±0.2	±0.3	±0.5	±0.7	±1.0, 0.000

6	2EDGK Screw-M2.5	S000001370 (H)	2	Steel	Cr ³⁺ Zn
5	2EDGKDF-5.08-Spring	X000004810 (H)	XX	Stainless steel	
4	2EDGKD-5.08-Clamp	1085B00010 (H)	XX	Phosphor bronze	SnCe
3	2EDGKD-5.08-Button	1085D0501A (H)	XX	PA66	UL94V-0
2	2EDGKD-5.08-Cover	1085COYXXA (H)	1	PA66	UL94V-0

1	2EDGKDM-5.08-Housing	1112A0YXXA (H)	1	PA66	UL94V-0
ITEM	NAME OF PART	NO. OF PART	Q"TY	MATERIAL	NOTES
DETACHED LISTS	MM (INCH)	DFTO Apple	DATE 10/20/06"	宁波高正电子有限公司 DEGSON ELECTRONICS CO., LTD NAME 2EDGKDM-5.08-XXP-1Y-00A(H) DRAWING NO. 2EDGKDM-5.08-E01 /PART NO. DO NOT SCALE DRAWING	
	TOLERANCES EXCEPT AS NOTED	CHKD	DATE		
	MM	MFO	DATE		
	.0 ±	APPVL	DATE		
.00 ±	MATERIAL :		SIZE		REV
.000 ±	G.E :		A3		T5
ANGLES ± 1°	FINISH :		11/12/10"		
THIRD ANGLE PROJECTION	SCALE : 1:1		SHEET 1		OF 1