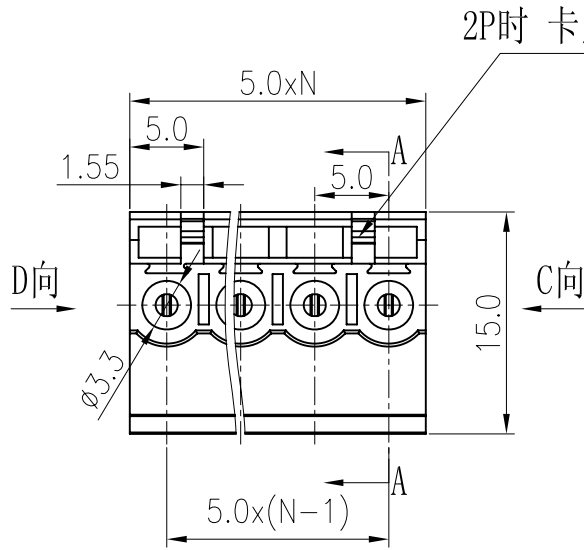
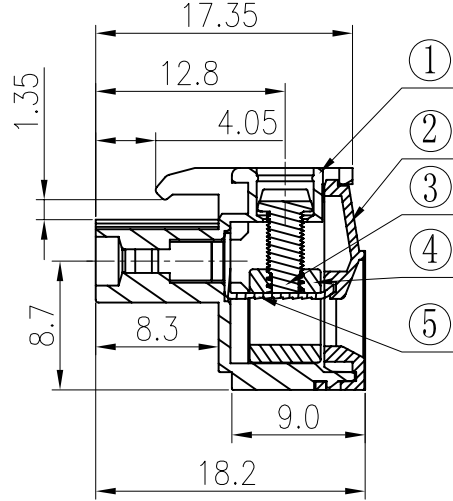


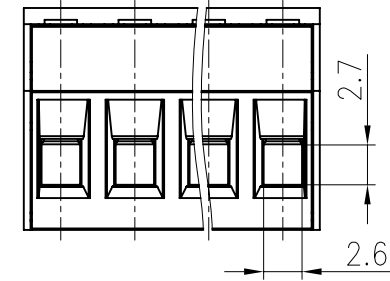
REVISION RECORD					
REV	ECO	DESCRIPTION	DRFT	DATE	
△		品名、料号增加环保标示“(H)”	LJH	12/11/07	
△		新开模结构全面修改	Apple	10/20/08	



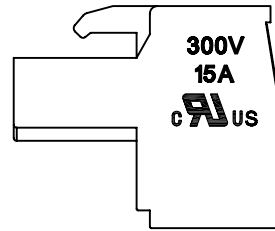
2P时 卡点在右边



Section A-A



View D



View C

Notes:

- Pitch: 5.0mm, Poles: 2-18P
- Rated voltage/current: UL 300V/15A
IEC 320V/20A
- Operation temperatures: -40°C ~ +105°C
- Withstanding Voltage: AC1500V/1min
- Insulation Resistance: 5000MΩ/DC1000V
- Wire Range: 28~12AWG, 2.5mm²
- Max. Torque Value: M2.5, 4.08Kgf.cm
- Undimensioned Tolerances:

Pitch range in mm		Nominal dimension range in mm						
to	over	over	to	over	over	over	to	
6	6 to 10	10 to 24	30	30 to 60	60 to 100	100 to 150	150	
±0.10	±0.15	±0.25	±0.2	±0.3	±0.5	±0.7	±1.0	
							0.05/10	

ITEM	NAME OF PART	NO. OF PART	Q'TY	MATERIAL	NOTES
5	2EDGKF-Clamp	1070B00010 (H)	XX	Phospor Bronze	SnCe
4	DG128 Brass cage	X000000020 (H)	XX	Brass	Ni plated
3	2EDG "—"Screws-M2.5	S000001370 (H)	XX	Steel	Cr ³⁺ Zn
2	2EDGKF-5.0-Cover	1070COYXXA (H)	1	PA66	UL94V-0

1	2EDGKF-5.0-Housing	1070A0YXXA (H)	1	PA66	UL94V-0
NAME OF PART		NO. OF PART	Q'TY	MATERIAL	NOTES
DFTO Apple		DATE 10/20/08	DEGSON 宁波高正电子有限公司 DEGSON ELECTRONICS CO., LTD		
CHKD		DATE	NAME		
MFO		DATE	2EDGKF-5.0-XXP-1Y-00A(H)		
APPVL		DATE	DRAWING NO. 2EDGKF-5.0-E01		
MATERIAL :		FINISH :			
ANGLES ± 1'		SCALE : 1:1			
THIRD ANGLE PROJECTION		DO NOT SCALE DRAWING			
				SHEET 1	OF 1