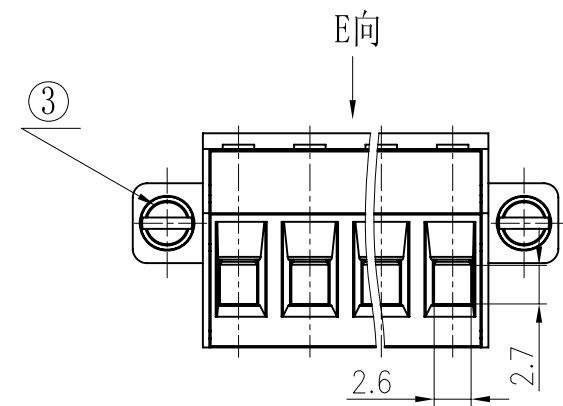
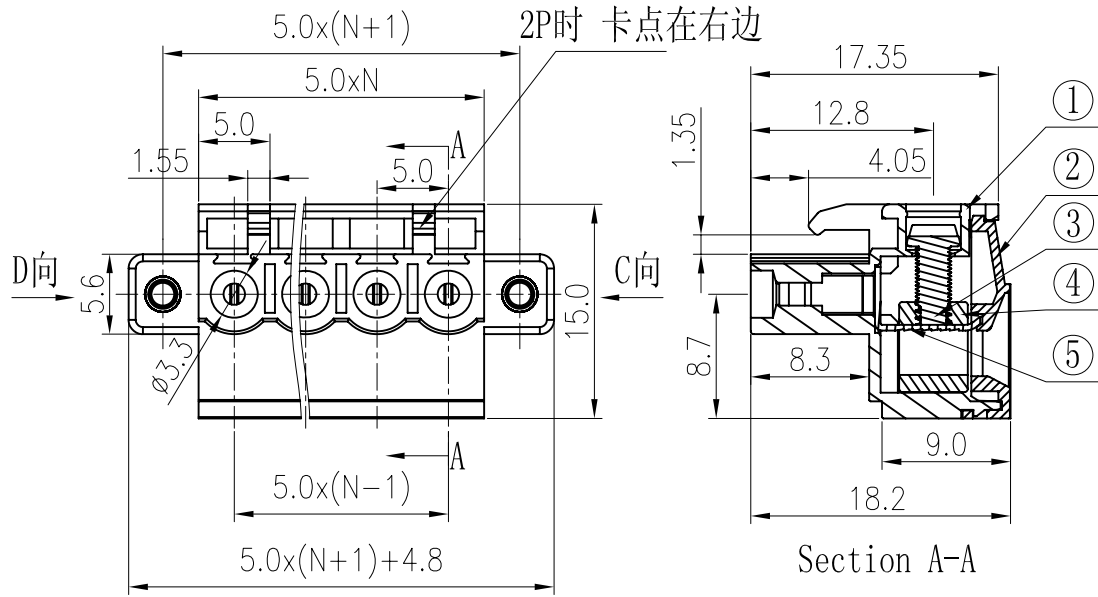
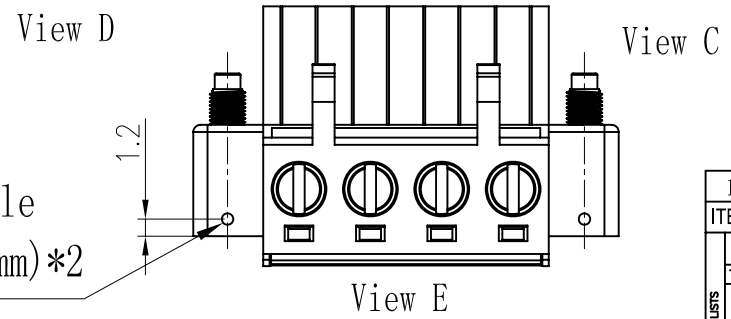
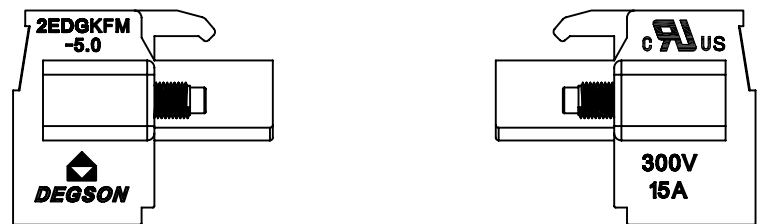


REVISION RECORD					
REV	ECO	DESCRIPTION	DRFT	DATE	
△		新增刻字	Apple	02/10/09*	
△	10-0194	更改料号	COCO	06/28/10*	



- Notes:
- Pitch: 5.0mm, Poles: 2-18P
 - Rated voltage/current: UL 300V/15A
IEC 320V/20A
 - Operation temperatures: -40°C ~ +105°C
 - Withstanding Voltage: AC1500V/1min
 - Insulation Resistance: 5000MΩ / DC1000V
 - Wire Range: 28~12AWG, 2.5mm²
 - Max. Torque Value: M2.5, 4.08Kgf.cm
 - Undimensioned Tolerances:

Pitch range in mm		Nominal dimension range in mm						
to	over	to	over	to	over	to	over	
6	6	10	10	30	60	100	150	
6	10	24	30	60	100	150		
±0.10	±0.15	±0.25	±0.2	±0.3	±0.5	±0.7	±1.0	0.05/10



5	2EDGKF-Clamp	1070B00010 (H)	XX	Phospor Bronze	SnCe
4	DG128 Brass cage	X000000020 (H)	XX	Brass	Ni plated
3	2EDG "—" Screws-M2.5	S000001370 (H)	XX+2	Steel	Cr ³⁺ Zn
2	2EDGKF-5.0-Cover	△1070C0YXXA (H)	1	PA66	UL94V-0

1	2EDGKFM-5.0-Housing	1198A0YXXA (H)	1	PA66	UL94V-0
ITEM	NAME OF PART	NO. OF PART	Q'TY	MATERIAL	NOTES
DETACHED LISTS	MM (INCH)	DFTO Apple	DATE 10/20/08*	宁波高正电子有限公司 DEGSON ELECTRONICS CO., LTD NAME: 2EDGKFM-5.0-XXP-1Y-00A(H) DRAWING NO. 2EDGKFM-5.0-E01 /PART NO. SIZE A3 REV T2 06/28/10*	
	TOLERANCES EXCEPT AS NOTED	CHKD	DATE		
	MM	MFO	DATE		
	.0 ±	APPVL	DATE		
	.00 ±				
.000 ±					
	ANGLES ± 1°	G.E :			
	THIRD ANGLE PROJECTION	FINISH :			
		SCALE : 1:1		DO NOT SCALE DRAWING	SHEET 1 OF 1