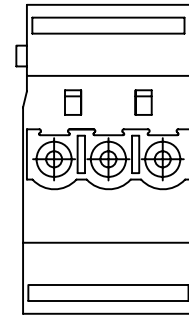
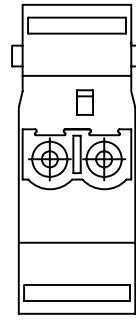
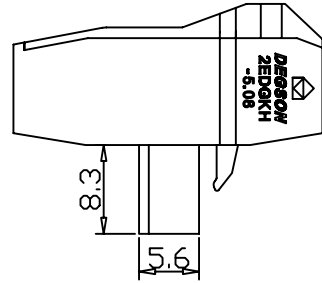


REVISION RECORD				
REV	ECD	DESCRIPTION	DRFT	DATE

Notes:

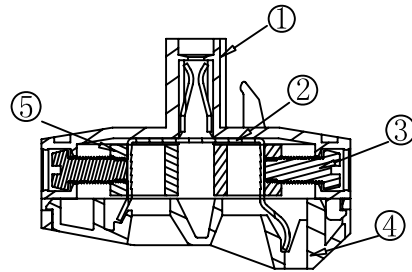
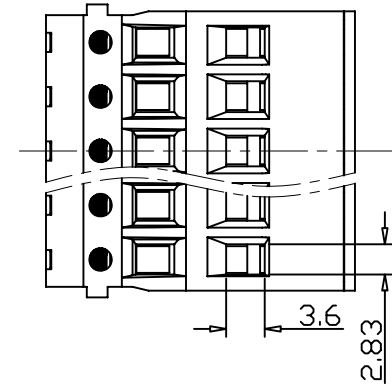
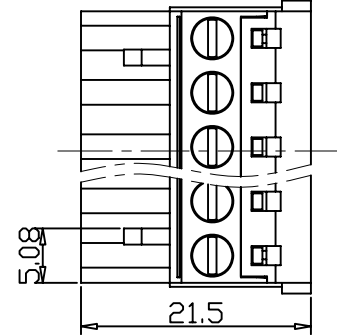
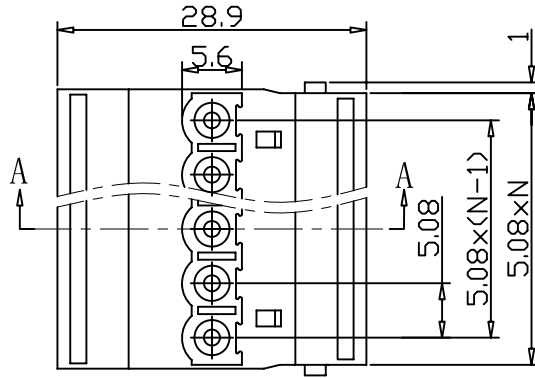
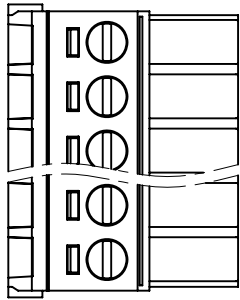
- Pitch: 5.08mm, Poles: 2-12P
- Rated voltage/current : UL1059 300V/10A
IEC 250V/15A
- Operation temperatures: -40° C~+105° C
- Withstanding voltage : AC2000V/1min
- Insulation resistance: 5000MΩ/DC1000V
- Wire Range: 30~12AWG , 2.5mm²
- Max. Torque Value: M2.5 , 4.08kgf.cm
- Undimensioned Tolerances:

Pitch range in mm		Nominal dimension range in mm					—	
to 6	over 6 to 10	over 10 to 24	over 30 to 60	over 60 to 100	over 100 to 150	over 150	∩ ∇	
±0.10	±0.15	±0.25	±0.2	±0.3	±0.5	±0.7	±1.0	0.05/10



02P

03P



5	DG128 Cage	X000000020 (H)	2XX	Steel	Cr ³⁺ Zn
4	2EDGKH-5.08 Cover	1190COYXXA (H)	1	PA66	UL94V-0
3	2EDG"-Screw	S000001370 (H)	2XX	Steel	Cr ³⁺ Zn
2	2EDGKH-5.08 Clamp	1190B00010 (H)	XX	Phosphor bronze	SnCe

ITEM	NAME OF PART	NO. OF PART	Q'TY	MATERIAL	NOTES
1	2EDGKH -5.08 Housing	1190AOYXXA (H)	1	PA66	UL94V-0

MM (INCH)	DF TO HXG	DATE 02/11/09*	宁波高正电子有限公司 DEGSON ELECTRONICS CO., LTD
TOLERANCES EXCEPT AS NOTED	CHKD	DATE	
	MFO	DATE	
	APPVL	DATE	
MM			NAME
.0 ±			2EDGKH-5.08-XXP-1Y-00A (H)
.00 ±			DRAWING NO. 2EDGKH-5.08-E01
.000 ±			/PART NO.
ANGLES ± 1°	G.E :		DO NOT SCALE DRAWING
THIRD ANGLE PROJECTION	FINISH:	SCALE : 1:1	SHEET 1 OF 1