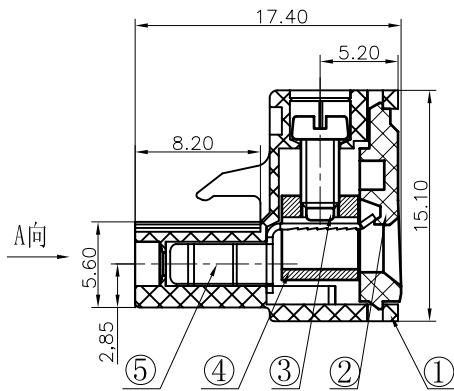
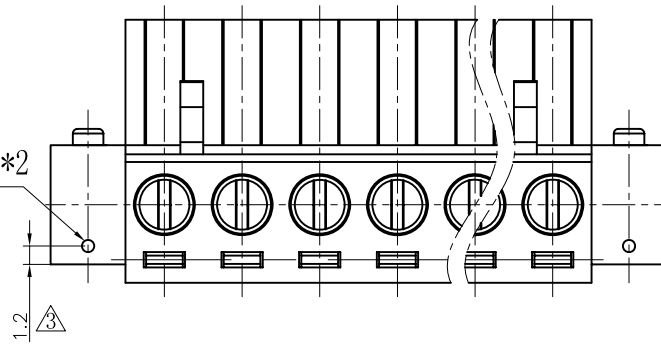
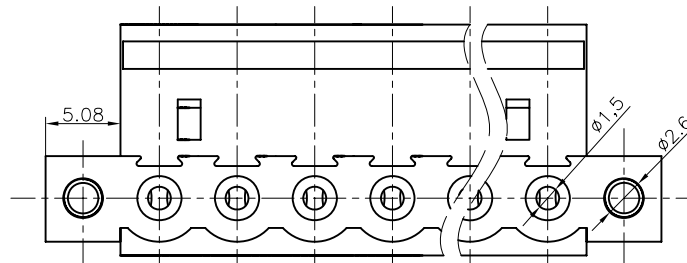


REVISION RECORD					
REV	ECO	DESCRIPTION	DRFT	DATE	
1		图面更新	CSX	04/17/06*	
2		增加VDE、CE刻字	Ye.j	02/25/08	
3		增加防脱卡点位置尺寸标注	WLM	02/06/09*	

Drill hole
(Max $\varnothing 0.8 \times 1.2\text{mm}$) *2



SECTION B-B

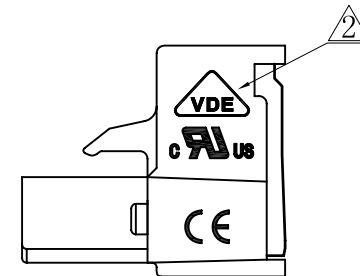
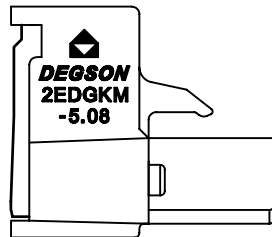


VIEW A

Notes:

1. Pitch: 5.08mm, Poles: 2-24P
2. Rated voltage/current: UL 300V/15A
VDE 320V/20A
3. Operation temperatures: $-45^{\circ}\text{C} \sim +105^{\circ}\text{C}$
4. Withstanding Voltage: AC2000V/1min
5. Insulation Resistance: $5000 \Omega / \text{DC}1000\text{V}$
6. Wire Range: 28~12AWG, 2.5mm²
7. Max. Torque Value: M2.5, 4.08kgf.cm
8. Undimensioned Tolerances:

Pitch range in mm		Nominal dimension range in mm					
to 6	over 6 to 10	over 10 to 24	over 30 to 60	over 60 to 100	over 100 to 150	over 150	—
	± 0.10	± 0.15	± 0.25	± 0.2	± 0.3	± 0.5	± 0.7
							± 1.0
							0.05/10



5	2EDG-Clamp	1005B00010 (H)	XX	Phospor Bronze	Ni plated
4	DG128 Brass cage	X00000020 (H)	XX	Brass	Ni plated
3	2EDG"-Screws-M2.5	S000001370 (H)	XX+2	Steel	Cr ³⁺ Zn
2	2EDGK-5.08-Cover	1005COYXXA (H)	1	PA66	UL94V-0

1	2EDGKM-5.08-Housing	1011A0YXXA (H)	1	PA66	UL94V-0
ITEM	NAME OF PART	NO. OF PART	Q'TY	MATERIAL	NOTES
DETACHED LISTS	← MM (INCH) →	DFTO DZJ	DATE 10/15/05*	宁波高正电子有限公司 DEGSON ELECTRONICS CO., LTD NAME 2EDGKM-5.08-XXP-1Y-00A(H) DRAWING NO. 2EDGKM-5.08-E04 SIZE A3 REV T3 /PART NO. 02/06/09* DO NOT SCALE DRAWING SHEET 1 OF 1	
	TOLERANCES EXCEPT AS NOTED	CHKD	DATE		
	MM	MFO	DATE		
	.0 ±	APPVL	DATE		
	.00 ±	MATERIAL :			
.000 ±					
ANGLES ± 1°	G.E :				
THIRD ANGLE PROJECTION	FINISH :				
	SCALE : 1:1				