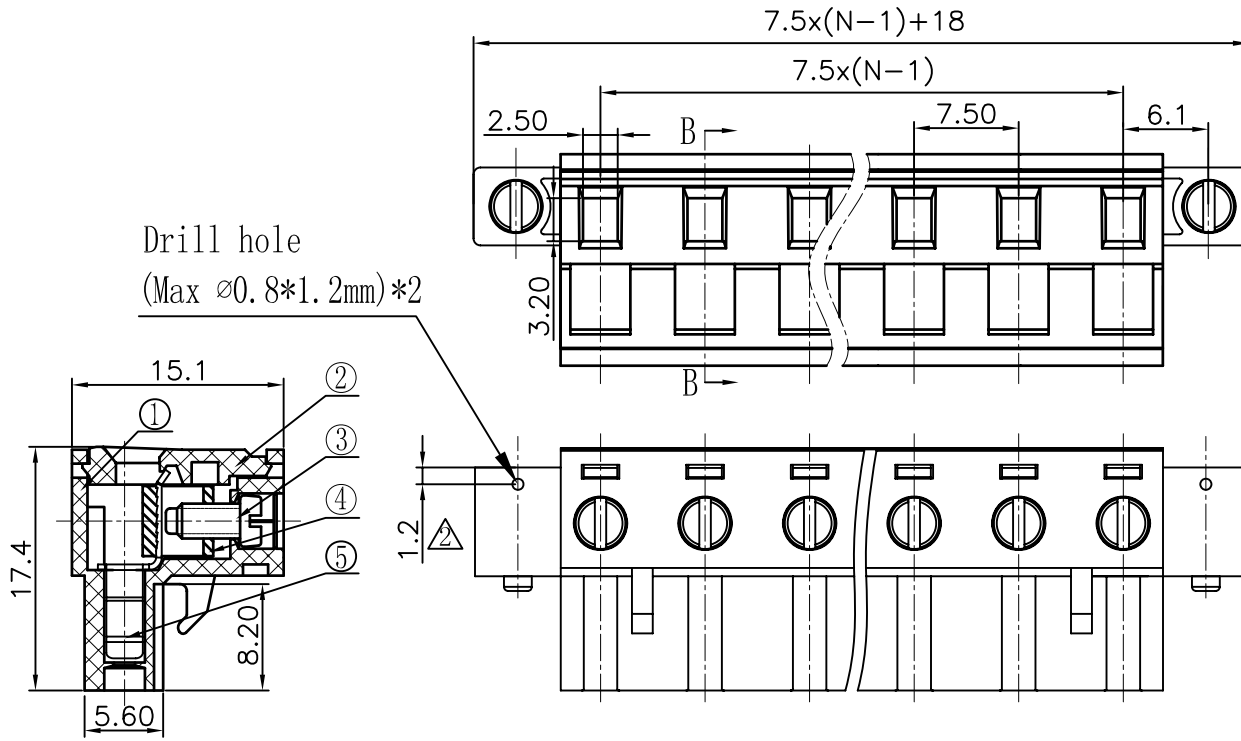


REVISION RECORD				
REV	ECO	DESCRIPTION	DRFT	DATE
△		增加VDE、CE刻字	Ye.j	02/25/08*
△		增加卡点位置尺寸标注	WLM	02/06/09*

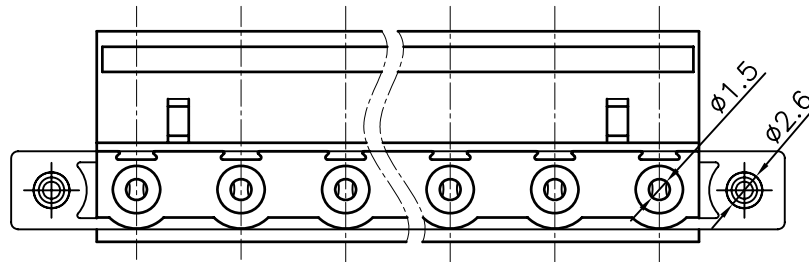
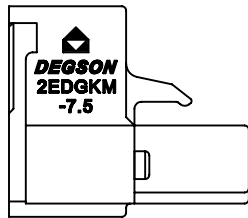


Notes:

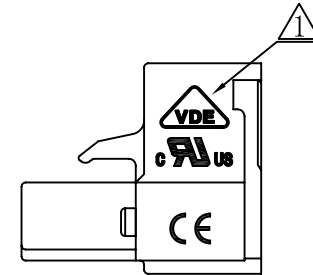
1. Pitch: 7.5mm, Poles: 2-12P
2. Rated voltage/current: UL 300V/15A
VDE 400V/20A
3. Operation temperatures: -45°C ~ +105°C
4. Withstanding Voltage: AC2000V/1min
5. Insulation Resistance: 5000Ω / DC1000V
6. Wire Range: 28~12AWG, 2.5mm²
7. Max. Torque Value: M2.5, 4.08kgf.cm
8. Undimensioned Tolerances:

Pitch range in mm		Nominal dimension range in mm						
to	over	to	to	to	to	to		
6	6	10	24	30	60	100	150	∩
6	10	24	30	60	100	150		□
±0.10	±0.15	±0.25	±0.2	±0.3	±0.5	±0.7	±1.0	0.005/10

SECTION B-B



VIEW-A



ITEM	DESCRIPTION	QTY	MATERIAL	FINISH	REMARKS
5	2EDG Spring	1005B00010 (H)	XX	Phospor Bronze	Ni plated
4	DG128 Brass Cage	X000000020 (H)	XX	Brass	Ni plated
3	2EDG "—" Screws-M2.5	S000001370 (H)	XX+2	Steel	Cr ³⁺ Zn
2	2EDGK-7.5-Cover	1017COYXXA (H)	1	PA66	UL94V-0

1	2EDGKM-7.5-Housing	1057A0YXXA (H)	1	PA66	UL94V-0
ITEM	NAME OF PART	NO. OF PART	Q"TY	MATERIAL	NOTES
TOLERANCES EXCEPT AS NOTED		DFTO Yangys		DATE 06/16/06"	
MM (INCH)		CHKD	DATE		
.0 ±		MFO	DATE		
.00 ±		APPVL	DATE		
.000 ±		MATERIAL :			
ANGLES ± 1'		G.E :			
THIRD ANGLE PROJECTION		FINISH :			
SCALE : 1:1		DO NOT SCALE DRAWING			
NAME				2EDGKM-7.5-XXP-1Y-00A(H)	
DRAWING NO. 2EDGKM-7.5-E01				SIZE	REV T2
/PART NO.				A3	02/06/09*
SHEET 1				OF 1	