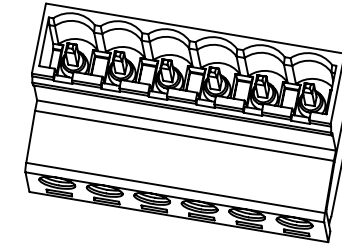
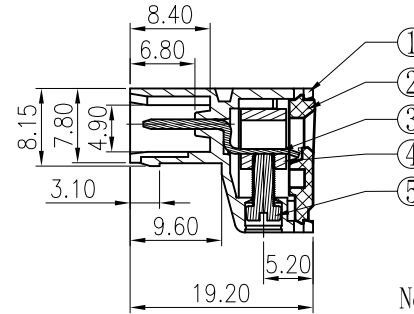
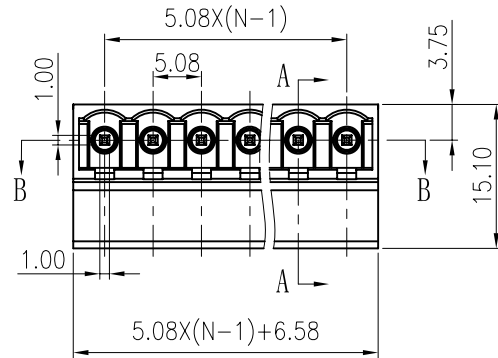


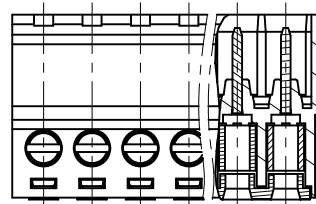
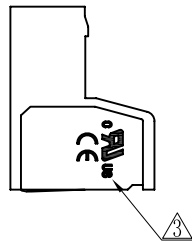
REVISION RECORD				
REV	ECO	DESCRIPTION	DRFT	DATE
△		图面整理	Apple	04/07/08*
△		修改参数	LJH	09/30/08*
△		增加UL刻字	WLM	11/12/08*



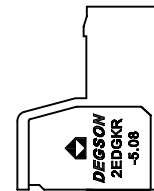
Section A-A

Notes:

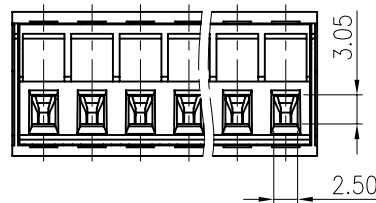
- Pitch: 5.08mm , Poles: 2-24P
- Rated voltage/current: UL 300V/15A  
IEC 320V/20A △
- Operation temperatures: -40°C ~ +105°C
- Withstanding Voltage: AC2000V/1min
- Insulation Resistance: 5000MΩ / DC1000V
- Wire Range: 28~12AWG, 2.5mm<sup>2</sup> △
- Max. Torque Value: M2.5, 4.08Kgf.cm
- Undimensioned Tolerances:



Section B-B



Pitch range in mm		Nominal dimension range in mm						
	over 6	over 10		over 30	over 60	over 100	over 150	—
to 6	to 10	to 24	to 30	to 60	to 100	to 150		□
±0.10	±0.15	±0.25	±0.2	±0.3	±0.5	±0.7	±1.0	0.05/10



5	2EDG "—"Screws-M2.5	S000001370 (H)	XX	Steel	Cr <sup>3+</sup> Zn
4	DG128 Brass cage	X000000020 (H)	XX	Brass	Ni plated
3	2EDGKR-Pin	1159B00010 (H)	XX	Copper	SnCe

2	2EDGK-5.08-Cover	1005C0YXXA (H)	1	PA66	UL94V-0
1	2EDGKR-5.08-Housing	1159A0YXXA (H)	1	PA66	UL94V-0
ITEM	NAME OF PART	NO. OF PART	Q"TY	MATERIAL	NOTES
DETACHED LISTS	MM (INCH)	DFTO Yangys	DATE 03/16/08*	宁波高正电子有限公司 DEGSON ELECTRONICS CO., LTD NAME 2EDGKR-5.08-XXP-1Y-00A (H) DRAWING NO. 2EDGKR-5.08-E01 SIZE A3 REV T3 11/12/08* /PART NO. DO NOT SCALE DRAWING SHEET 1 OF 1	
	TOLERANCES EXCEPT AS NOTED	CHKD	DATE		
	MM	MFO	DATE		
	.0 ±	APPVL	DATE		
	.00 ±	MATERIAL :			
.000 ±	ANGLES ± 1°	G.E :			
	THIRD ANGLE PROJECTION	FINISH :			
	SCALE : 1:1				