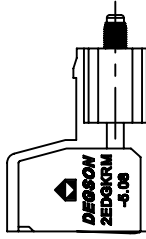
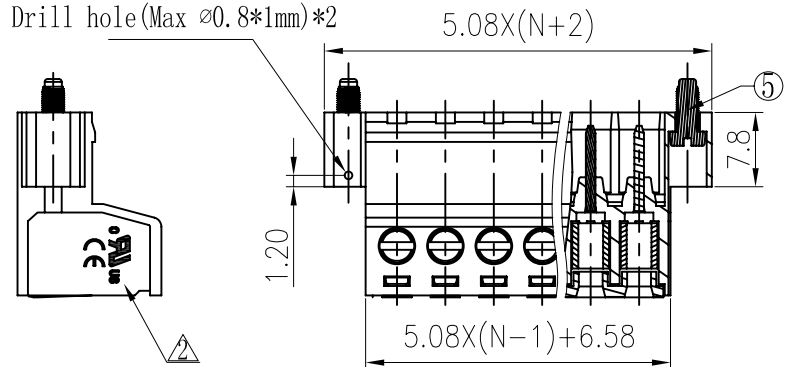
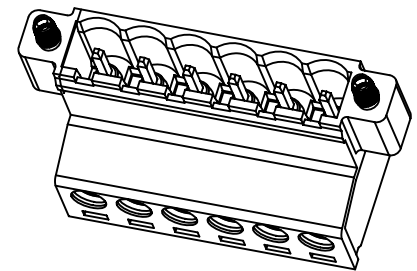
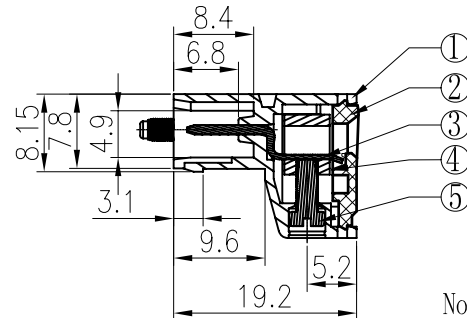
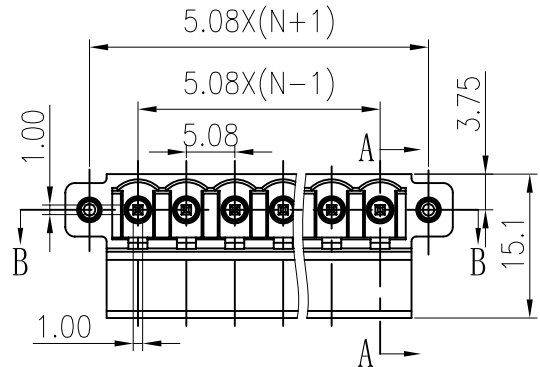
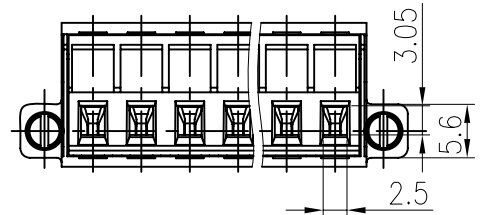


REVISION RECORD					
REV	ECO	DESCRIPTION	DRFT	DATE	
△		图面整理	Apple	04/07/08	
△		增加UL刻字	WLM	11/12/08	



Section A-A

Section B-B



Notes:

1. Pitch: 5.08mm , Poles: 2-22P
2. Rated voltage/current: UL 300V/15A
IEC 250V/20A
3. Operation temperatures: -40°C ~ +105°C
4. Withstanding Voltage: AC2000V/1min
5. Insulation Resistance: 5000MΩ / DC1000V
6. Wire Range: 24~12AWG, 2.5mm²
7. Max. Torque Value: M2.5, 4.08Kgf.cm
8. Undimensioned Tolerances:

Pitch range in mm		Nominal dimension range in mm						
	over 6	over 10		over 30	over 60	over 100	over 150	—
to 6	to 10	to 24	to 30	to 60	to 100	to 150		∩
±0.10	±0.15	±0.25	±0.2	±0.3	±0.5	±0.7	±1.0	◇

5	2EDG "—" Screws-M2.5	S000001370 (H)	XX+2	Steel	Cr ³⁺ Zn
4	DG128 Brass cage	X000000020 (H)	XX	Brass	Ni plated
3	2EDGKR-Pin	1159B00010 (H)	XX	Copper	SnCe

2	2EDGK-5.08-Cover	1005COYXXA (H)	1	PA66	UL94V-0
1	2EDGKRM-5.08-Housing	1163A0YXXA (H)	1	PA66	UL94V-0
ITEM	NAME OF PART	NO. OF PART	Q'TY	MATERIAL	NOTES

DETACHED LISTS	MM (INCH)	DFTO Yangys	DATE 03/16/08	宁波高正电子有限公司 DEGSON ELECTRONICS CO., LTD	
	TOLERANCES EXCEPT AS NOTED	CHKD	DATE		
		MFO	DATE		
		APPVL	DATE		
	MM			NAME	
	.0 ±	±		2EDGKRM-5.08-XXP-1Y-00A (H)	
	.00 ±	±		DRAWING NO. 2EDGKRM-5.08-E01	
	.000 ±	±		/PART NO.	
	ANGLES ± 1'	G.E :		SIZE	REV
		FINISH :		A3	T2
	THIRD ANGLE PROJECTION	SCALE : 1:1		11/12/08	
		DO NOT SCALE DRAWING		SHEET 1	OF 1