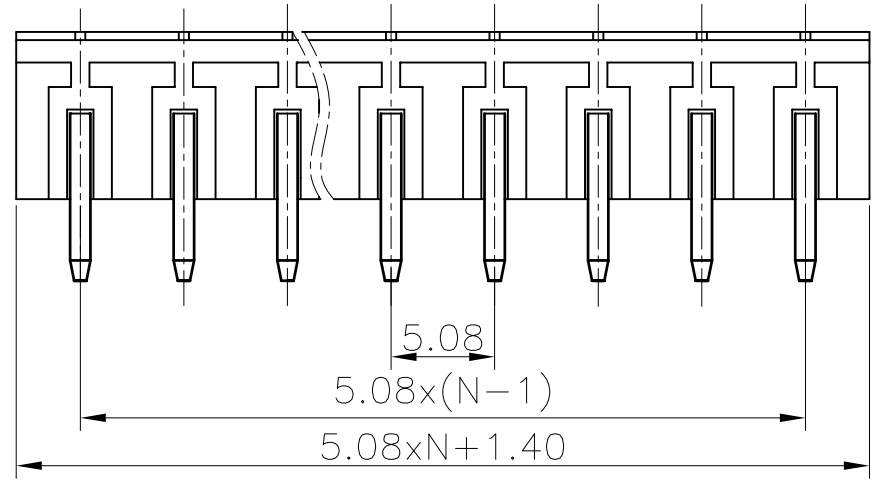
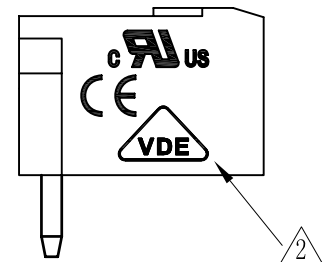
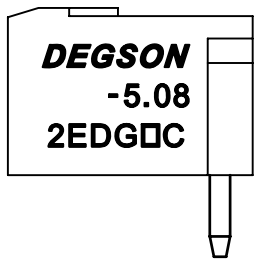
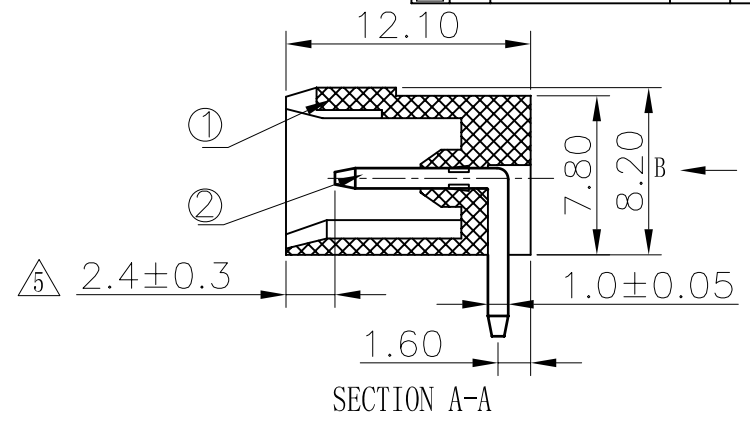
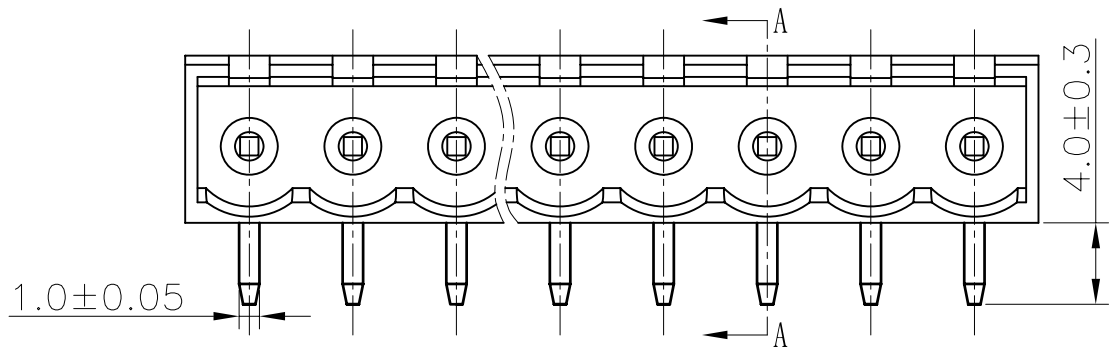


REVISION RECORD				
REV	ECO	DESCRIPTION	DRFT	DATE
1		Drawing emend	CSX	04/21/06*
2		增加VDE、CE刻字	YeJ	02/27/08*
3		图面更新	YeJ	03/28/08*
4		增加自动化方针	WLM	09/23/08*
5	10-0329	增加标注尺寸	COCO	10/04/10*



VIEW B

Notes:

- Pitch: 5.08mm, poles:2-24p
- Rated voltage/current:UL 300V/15A
VDE 320V/20A
- Operation temperatures:-40° C~+105° C
- Withstanding voltage: AC2000V/1min
- Insulation resistance:5000MΩ/DC1000V
- Undimensioned Tolerances:

Pitch range in mm		Nominal dimension range in mm						
to	over	to	over	to	over	to	over	
6	10	10	24	30	60	100	150	⌒
to 6	to 10	to 24	to 30	to 60	to 100	to 150		▭
±0.10	±0.15	±0.25	±0.2	±0.3	±0.5	±0.7	±1.0	0.05/10

2	2EDGR-Pin header	1008B00120 (H)	XX	Brass	Automatic assembly
2	2EDGR(A)Pin header	1008B00040 (H)	XX	Brass	Manual assembly
1	2EDGRC-5.08-Housing	1009A0YXXA (H)	1	PA66	UL94V-0
ITEM	NAME OF PART	NO. OF PART	Q"TY	MATERIAL	NOTES
DETAILED LISTS		MM (INCH)	DFTO HW	DATE	08/23/05*
TOLERANCES EXCEPT AS NOTED		CHKD	DATE		
		MFO	DATE		
		APPVL	DATE		
MM		MATERIAL :			
.0 ±					
.00 ±					
.000 ±					
ANGLES ± 1°		G.E :			
THIRD ANGLE PROJECTION		FINISH :			
		SCALE : 1:1			
NAME				DEGSON® 宁波高正电子有限公司 DEGSON ELECTRONICS CO., LTD	
NAME				2EDGRC-5.08-XXP-1Y-00A(H)	
DRAWING NO.				2EDGRC-5.08-E06	
/PART NO.				SIZE A3	
DO NOT SCALE DRAWING				REV T5 10/04/10*	
SHEET 1				OF 1	

由 Autodesk 教育版产品制作

由 Autodesk 教育版产品制作