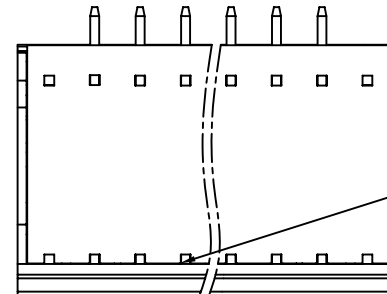
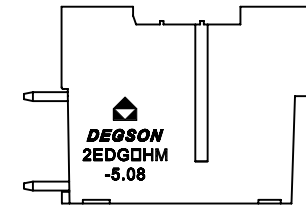
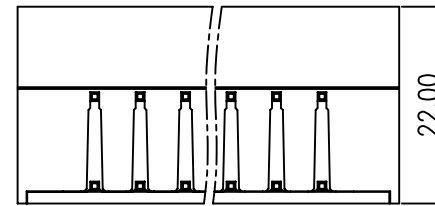
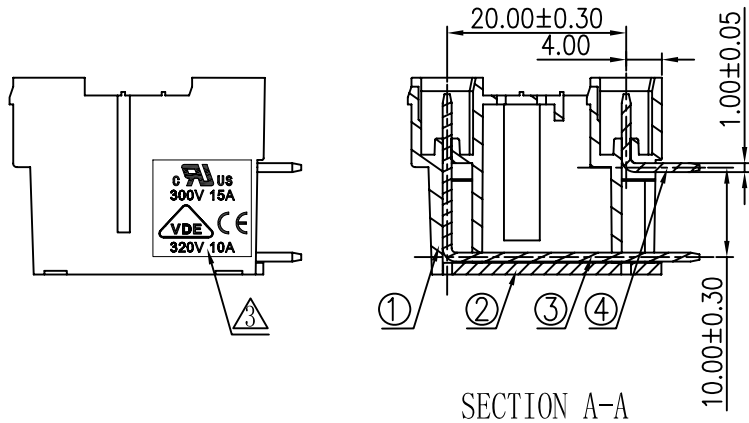
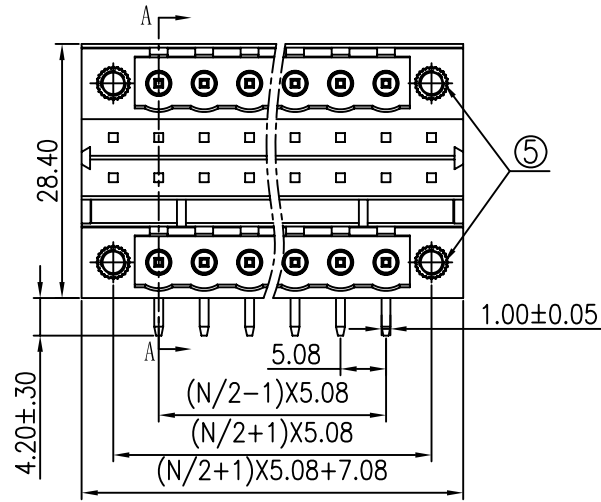


REVISION RECORD					
REV	ECO	DESCRIPTION	DRFT	DATE	
△		增加UL刻字	CSX	08/31/07	
△		品名、料号增加环保标示“(H)”	LJH	12/11/07	
△		增加VDE刻字及参数	Zengy	12/11/08	



注：盖与座需超音波焊接

Notes:

- Pitch:5.08mm , Poles:4-48P
- Rated voltage/current:UL 300V 15A
VDE 320V 10A
- Operation temperatures:-40°C~+105°C
- Withstanding Voltage:AC2000V/1min
- Insulation Resistance:5000MΩ/DC1000V
- Undimensioned Tolerances:

Pitch range in mm			Nominal dimension range in mm					
to	over	to	to	over	over	over		
6	10	24	30	60	100	150		
±0.10	±0.15	±0.25	±0.2	±0.3	±0.5	±0.7	±1.0	
							0.05/10	

5	2EDGRH Screw	S000000040	4	Brass	
4	2EDGRH Pin header(short)	1061B00030(H)	XX/2	Brass	SnCe
3	2EDGRH Pin header(long)	1061B00010(H)	XX/2	Brass	SnCe
2	2EDGRH-5.08 Cover	1062C0Y (XX+4) A(H)	1	PA66	UL94V-0

1	2EDGRHM-5.08 Housing	1077A0YXXA(H)	1	PA66	UL94V-0
ITEM	NAME OF PART	NO. OF PART	Q'TY	MATERIAL	NOTES
TOLERANCES EXCEPT AS NOTED		DFTO ZERUM	DATE 06/24/06*	DEGSON 宁波高正电子有限公司 DEGSON ELECTRONICS CO., LTD	
MM (INCH)		CHKD	DATE	NAME	
TOLERANCES EXCEPT AS NOTED		MFO	DATE	2EDGRHM-5.08-XXP-1Y-00A(H)	
MM		APPVL	DATE	DRAWING NO. 2EDGRHM-5.08-E01	
.0 ±		MATERIAL :		SIZE	REV
.00 ±		G.E :		A3	T3
.000 ±		FINISH :		12/11/08*	
ANGLES ± 1'		SCALE : 1:1		DO NOT SCALE DRAWING	
THIRD ANGLE PROJECTION		SHEET 1		OF 1	