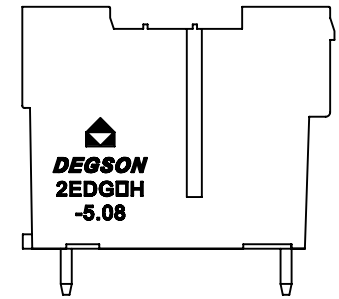
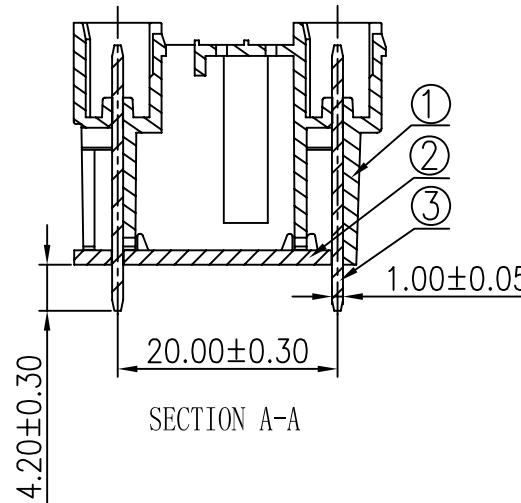
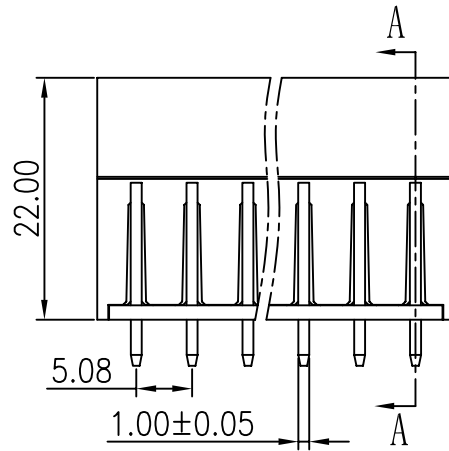
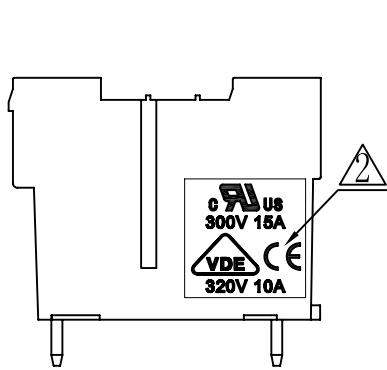
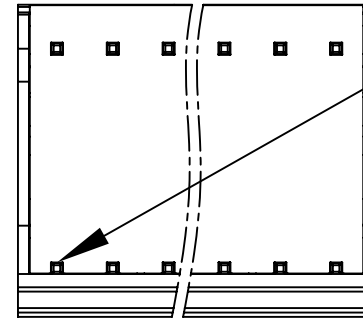
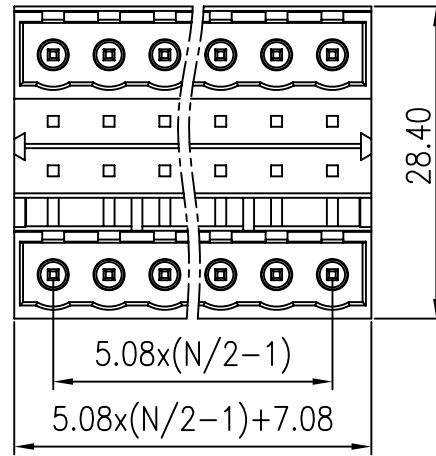


REVISION RECORD				
REV	ECO	DESCRIPTION	DRFT	DATE
△		品名、料号增加环保标示“(H)”	LJH	12/11/07
△		增加VDE刻字及参数	Zengy	12/09/08



Notes:

1. Pitch: 5.08mm , Poles: 4-48P
2. Rated voltage/current: UL 300V/15A
VDE 320V/10A
3. Operation temperatures: -40°C~+105°C
4. Withstanding Voltage: AC2000V/1min
5. Insulation Resistance: 5000MΩ/DC1000V
6. Undimensioned Tolerances:

Pitch range in mm		Nominal dimension range in mm						
	over 6	over 10	over 30	over 60	over 100	over 150	∩	
to 6	to 10	to 24	to 30	to 60	to 100	to 150	□	
±0.10	±0.15	±0.25	±0.2	±0.3	±0.5	±0.7	±1.0 G05/10	

3	2EDGVH Pin header	1061B00020 (H)	XX	Brass	SnCe
2	2EDGVH-5.08 Cover	1062C0YXXA (H)	1	PA66	UL94V-0

1	2EDGVH-5.08 Housing	1062A0YXXA (H)	1	PA66	UL94V-0												
ITEM	NAME OF PART	NO. OF PART	Q"TY	MATERIAL	NOTES												
<table border="1"> <tr> <td>← MM (INCH) →</td> <td>DFTD Zhuzhen</td> <td>DATE 06/24/06"</td> </tr> <tr> <td>TOLERANCES EXCEPT AS NOTED</td> <td>CHKD</td> <td>DATE</td> </tr> <tr> <td></td> <td>MFO</td> <td>DATE</td> </tr> <tr> <td></td> <td>APPLV</td> <td>DATE</td> </tr> </table>		← MM (INCH) →	DFTD Zhuzhen	DATE 06/24/06"	TOLERANCES EXCEPT AS NOTED	CHKD	DATE		MFO	DATE		APPLV	DATE	宁波高正电子有限公司 DEGSON ELECTRONICS CO., LTD			
← MM (INCH) →	DFTD Zhuzhen	DATE 06/24/06"															
TOLERANCES EXCEPT AS NOTED	CHKD	DATE															
	MFO	DATE															
	APPLV	DATE															
DETACHED LISTS		NAME: 2EDGVH-5.08-XXP-1Y-00A(H)															
ANGLES ± 1'		DRAWING NO. 2EDGVH-5.08-E01															
THIRD ANGLE PROJECTION		FINISH:		SIZE A3													
		SCALE: 1:1		REV T2 12/09/08													
DO NOT SCALE DRAWING				SHEET 1 OF 1													