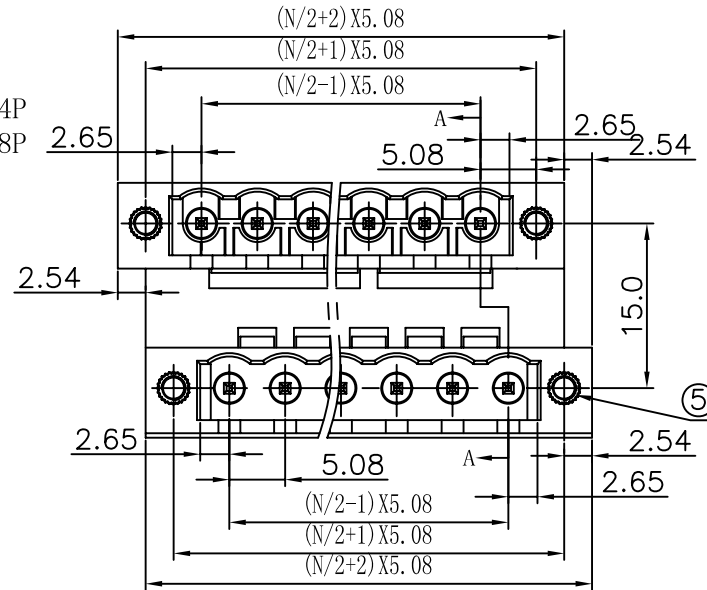


Notes:

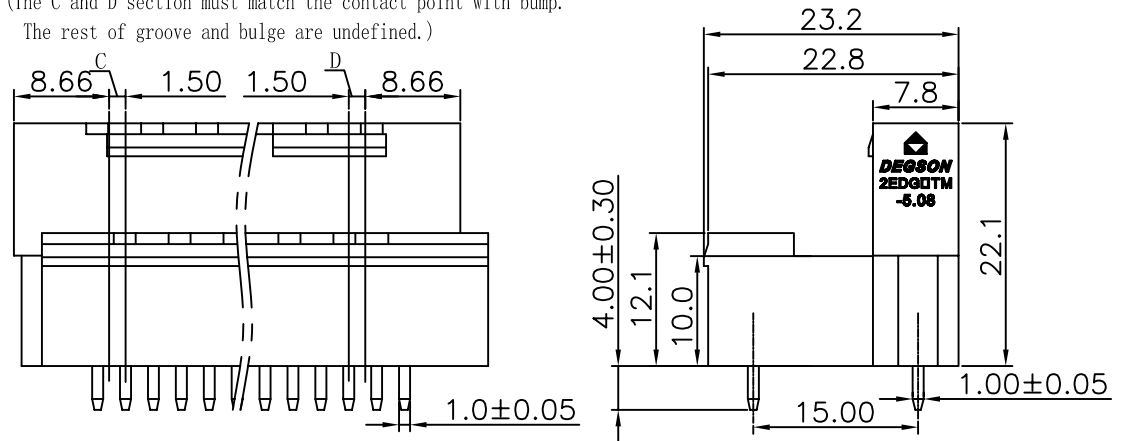
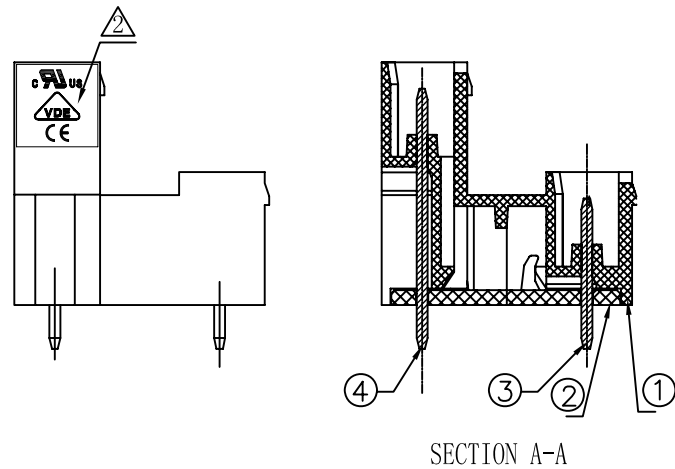
1. Pitch: 5.08mm , Poles: One-block for 4-24P  
Inter locking for 24-48P
2. Rated voltage/current: UL 300V/15A  
VDE 320V/10A
3. Operation temperatures: -40°C ~ +105°C
4. Withstanding Voltage: AC2000V/1Min
5. Insulation Resistance: 5000MΩ / DC1000V
6. Undimensioned Tolerances:

Pitch range in mm		Nominal dimension range in mm						
to	over	over	to	over	over	over	over	
6	6 to 10	10 to 24	30 to 30	30 to 60	60 to 100	100 to 150	150	∩
	±0.10	±0.15	±0.25	±0.2	±0.3	±0.5	±0.7	±1.0
								0.05/10

REVISION RECORD					
REV	ECO	DESCRIPTION	DRFT	DATE	
△		品名、料号增加环保标示“(H)”	LJH	12/11/07	
△		增加VDE刻字	Zengy	08/30/10	
△	10-0306	根据实物更新图面	Golden	09/20/10	



注: C D两处与插头卡勾相配合必须要有凸台, 其余凹槽凸台均不作管控。  
(The C and D section must match the contact point with bump.  
The rest of groove and bulge are undefined.)



ITEM	NAME OF PART	NO. OF PART	Q'TY	MATERIAL	NOTES
1	2EDGVTM-5.08 housing (Right foot)	1075A1Y (N/2 & N/2+1) C (H)	1	PA66	>24P
	2EDGVTM-5.08 housing (Left foot)	1075A1Y (N/2 & N/2-1) B (H)	1	PA66	
	2EDGVTM-5.08 housing	1075A1YXXA (H)	1	PA66	≤24P

DETACHED LISTS	MM (INCH)	DFTO Apple	DATE 06/18/06	宁波高正电子有限公司 DEGSON ELECTRONICS CO., LTD
	TOLERANCES EXCEPT AS NOTED	CHKD	DATE	
		MFO	DATE	
		APPVL	DATE	
	MM	±		NAME
	.00 ±	±		2EDGVTM-5.08-XXP-1Y-00A (H)
	.000 ±	±		DRAWING NO. 2EDGVTM-5.08-E01
	ANGLES ± 1°	G.E :		SIZE A3
	THIRD ANGLE PROJECTION	FINISH :		REV T3
		SCALE :		09/20/10
				DO NOT SCALE DRAWING
				SHEET 1 OF 1

ITEM	NAME OF PART	NO. OF PART	Q'TY	MATERIAL	NOTES
5	2EDG Nut	S000000040 (H)	4	Brass	
4	2EDGV-pin	1007B00030 (H)	XX/2	Brass	SnCe
3	2EDGVT-long pin	1032B00010 (H)	XX/2	Brass	SnCe
2	2EDGVT-5.08-Cover	1056C0Y (N/2 & N/2+1) A (H)	1	PA66	>24P
	2EDGVT-5.08-Cover	1056C0Y (N/2 & N/2-1) A (H)	1	PA66	
	2EDGVT-5.08 Cover	1056C0YXXA (H)	1	PA66	≤24P