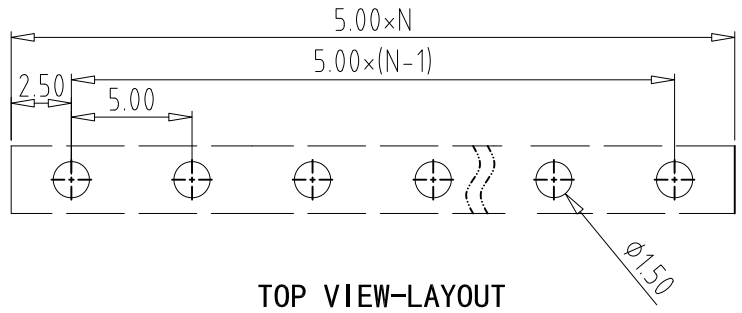


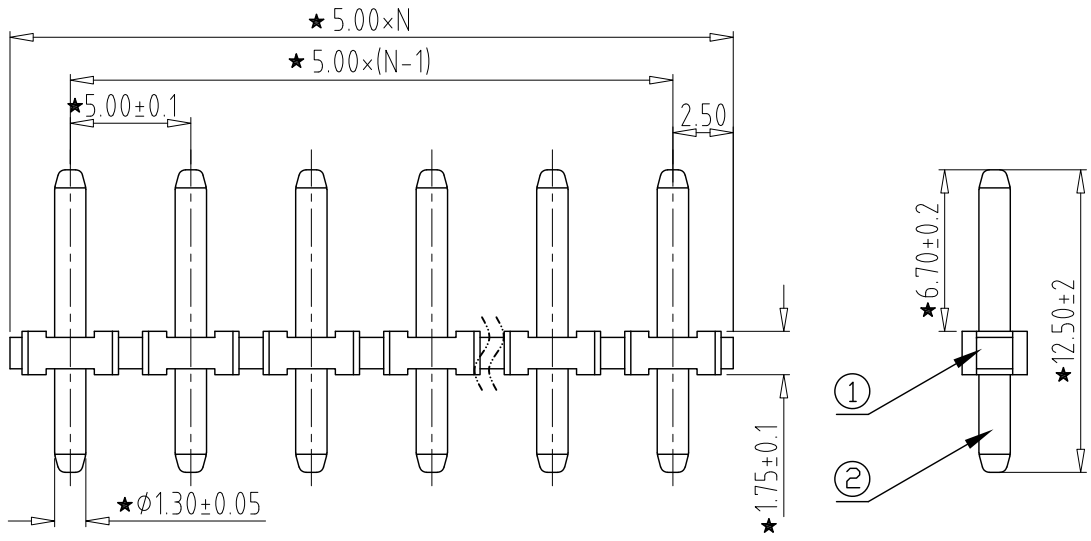
REV	CONTENT	CHK	DATE
V0.0	CONTENT	MYZ	21.06.29



TOP VIEW-LAYOUT

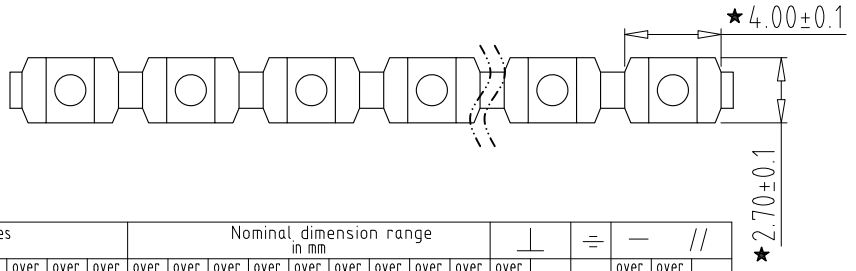
Electrical :

- | | | |
|---|---------------|------|
| | UL | IEC |
| 1. Rated Voltage : | 300V | 250V |
| 2. Rated Current : | 15A | 12A |
| 6. Withstanding Voltage : | AC2000V/1Min. | |
| 7. Operating Temperature : | -40°C~+105°C | |
| 8. RoHS Compliance | | |
| 9. Safty Approval : | | |
| 10. " ★ " is the key quality control point. | | |



GT332J - 5.0 - XXP - X X - 00

- | | | | |
|---|------------------|---|--|
| ① | Series No. | ④ | 1 Single Pitch
2 Double Pitch |
| ② | Pitch | ⑤ | Color: 1 Grey
2 Blue
3 Black
4 Green
5 Orange
6 Red
7 Transparent
8 Yellow
9 White |
| ③ | Poles | | 02 02Contacts
03 03Contacts
...
24 24Contacts |
| ⑥ | Customer Request | | : 00--Standard |



Total Pitch Tolerances in mm										Nominal dimension range in mm										⊥	=	-	//		
over 0	over 30	over 53	over 70	over 90	over 115	over 150	over 250	over 350	over 500	over 0	over 30	over 53	over 70	over 90	over 115	over 150	over 200	over 250	over 320	0	over 10	all	over 0	over 100	over 150
±0.18	±0.20	±0.25	±0.3	±0.35	±0.4	±0.60	±0.70	±0.85	±0.20	±0.25	±0.30	±0.35	±0.4	±0.55	±0.70	±0.80	±0.90	0.2	0.3	0.3	0.2	0.3	0.5		

2	PIN	XX	P	BRASS	Tin Plated
1	HOUSING	XX	1	PA6T+GF	UL94V-0
ITEM	NAME OF PART	NO. OF PART	Q'TY	MATERIAL	NOTE
DWG.	MYZ	DATE	21.06.29	SIZE	A4 UNITS mm SHEET/OF 1/1
CHK.		DATE		SCALE	1:1
APP.		DATE		NAME	GT332J-5.0-XXP-XX-00
宁波冠泰电子有限公司 NINGBO GOLTEN ELECTRONICS CO., LTD.				DWGNO.	XXXX