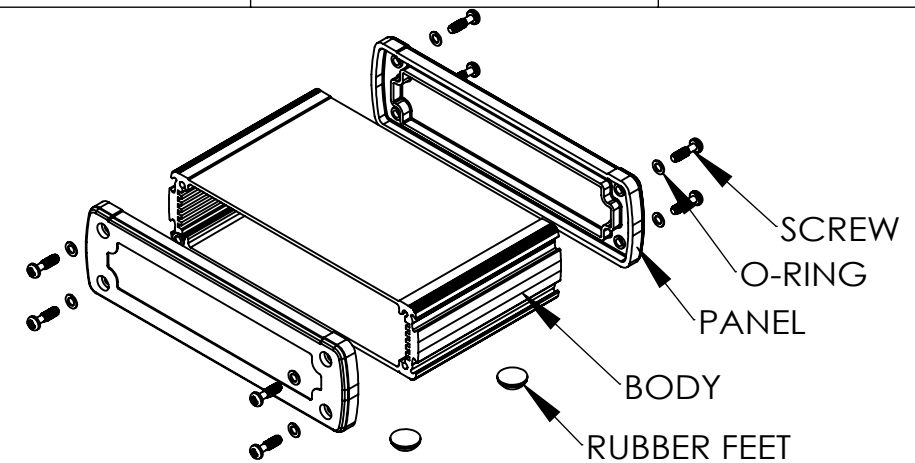
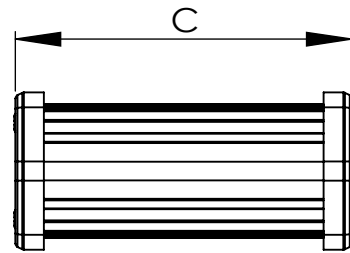
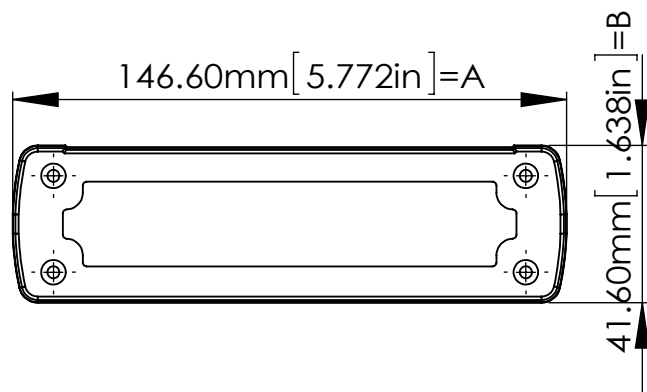


ITEM NO	BODY	PANEL	O-RING	RUBBER FEET	SCREW	EXTERNAL DIMENSION(mm) AXBXC
ALUG706GD080-C	ALUMINIUM EXTRUSION 6063/ GOLDEN ANODIZED(PANTONE 4675C)	UL94-V0 OF POLYCARBONATE/CLEAR	Ø6X0.5 mm MATERIAL:PC COLOR:CLEAR	Ø12X5 mm MATERIAL:RUBBER (GAINTA ITEM NO:RF-1004) COLOR:BLACK	M3.5X12 mm MATERIAL:STAINLESS SUS 304 COLOR:UNFINISHED	146.6X41.6X89 mm
ALUG706SR080-C	ALUMINIUM EXTRUSION 6063/ SILVER ANODIZED(PANTONE 877C)	UL94-V0 OF POLYCARBONATE/CLEAR				
ALUG706RD080-IR	ALUMINIUM EXTRUSION 6063/ RED ANODIZED(PANTONE 187C)	UL94-V0 OF POLYCARBONATE/TRANSLUCENT RED				
ALUG706BU080-CBU	ALUMINIUM EXTRUSION 6063/ BLUE ANODIZED(PANTONE 306C)	UL94-V0 OF POLYCARBONATE/TRANSLUCENT BLUE				
ALUG706BK080-BK	ALUMINIUM EXTRUSION 6063/ BLACK ANODIZED(PANTONE BLACK U)	UL94-V0 OF POLYCARBONATE/BLACK				
ALUG706GD120-C	ALUMINIUM EXTRUSION 6063/ GOLDEN ANODIZED(PANTONE 4675C)	UL94-V0 OF POLYCARBONATE/CLEAR	Ø6X0.5 mm MATERIAL:PC COLOR:CLEAR	Ø12X5 mm MATERIAL:RUBBER (GAINTA ITEM NO:RF-1004) COLOR:BLACK	M3.5X12 mm MATERIAL:STAINLESS SUS 304 COLOR:UNFINISHED	146.6X41.6X129 mm
ALUG706SR120-C	ALUMINIUM EXTRUSION 6063/ SILVER ANODIZED(PANTONE 877C)	UL94-V0 OF POLYCARBONATE/CLEAR				
ALUG706RD120-IR	ALUMINIUM EXTRUSION 6063/ RED ANODIZED(PANTONE 187C)	UL94-V0 OF POLYCARBONATE/TRANSLUCENT RED				
ALUG706BU120-CBU	ALUMINIUM EXTRUSION 6063/ BLUE ANODIZED(PANTONE 306C)	UL94-V0 OF POLYCARBONATE/TRANSLUCENT BLUE				
ALUG706BK120-BK	ALUMINIUM EXTRUSION 6063/ BLACK ANODIZED(PANTONE BLACK U)	UL94-V0 OF POLYCARBONATE/BLACK				
ALUG706GD160-C	ALUMINIUM EXTRUSION 6063/ GOLDEN ANODIZED(PANTONE 4675C)	UL94-V0 OF POLYCARBONATE/CLEAR	Ø6X0.5 mm MATERIAL:PC COLOR:CLEAR	Ø12X5 mm MATERIAL:RUBBER (GAINTA ITEM NO:RF-1004) COLOR:BLACK	M3.5X12 mm MATERIAL:STAINLESS SUS 304 COLOR:UNFINISHED	146.6X41.6X169 mm
ALUG706SR160-C	ALUMINIUM EXTRUSION 6063/ SILVER ANODIZED(PANTONE 877C)	UL94-V0 OF POLYCARBONATE/CLEAR				
ALUG706RD160-IR	ALUMINIUM EXTRUSION 6063/ RED ANODIZED(PANTONE 187C)	UL94-V0 OF POLYCARBONATE/TRANSLUCENT RED				
ALUG706BU160-CBU	ALUMINIUM EXTRUSION 6063/ BLUE ANODIZED(PANTONE 306C)	UL94-V0 OF POLYCARBONATE/TRANSLUCENT BLUE				
ALUG706BK160-BK	ALUMINIUM EXTRUSION 6063/ BLACK ANODIZED(PANTONE BLACK U)	UL94-V0 OF POLYCARBONATE/BLACK				
ALUG706GD200-C	ALUMINIUM EXTRUSION 6063/ GOLDEN ANODIZED(PANTONE 4675C)	UL94-V0 OF POLYCARBONATE/CLEAR	Ø6X0.5 mm MATERIAL:PC COLOR:CLEAR	Ø12X5 mm MATERIAL:RUBBER (GAINTA ITEM NO:RF-1004) COLOR:BLACK	M3.5X12 mm MATERIAL:STAINLESS SUS 304 COLOR:UNFINISHED	146.6X41.6X209 mm
ALUG706SR200-C	ALUMINIUM EXTRUSION 6063/ SILVER ANODIZED(PANTONE 877C)	UL94-V0 OF POLYCARBONATE/CLEAR				
ALUG706RD200-IR	ALUMINIUM EXTRUSION 6063/ RED ANODIZED(PANTONE 187C)	UL94-V0 OF POLYCARBONATE/TRANSLUCENT RED				
ALUG706BU200-CBU	ALUMINIUM EXTRUSION 6063/ BLUE ANODIZED(PANTONE 306C)	UL94-V0 OF POLYCARBONATE/TRANSLUCENT BLUE				
ALUG706BK200-BK	ALUMINIUM EXTRUSION 6063/ BLACK ANODIZED(PANTONE BLACK U)	UL94-V0 OF POLYCARBONATE/BLACK				



宣又實業有限公司  
GAINTA INDUSTRIES LTD.

繪圖 DRA'D BY  
JACKY

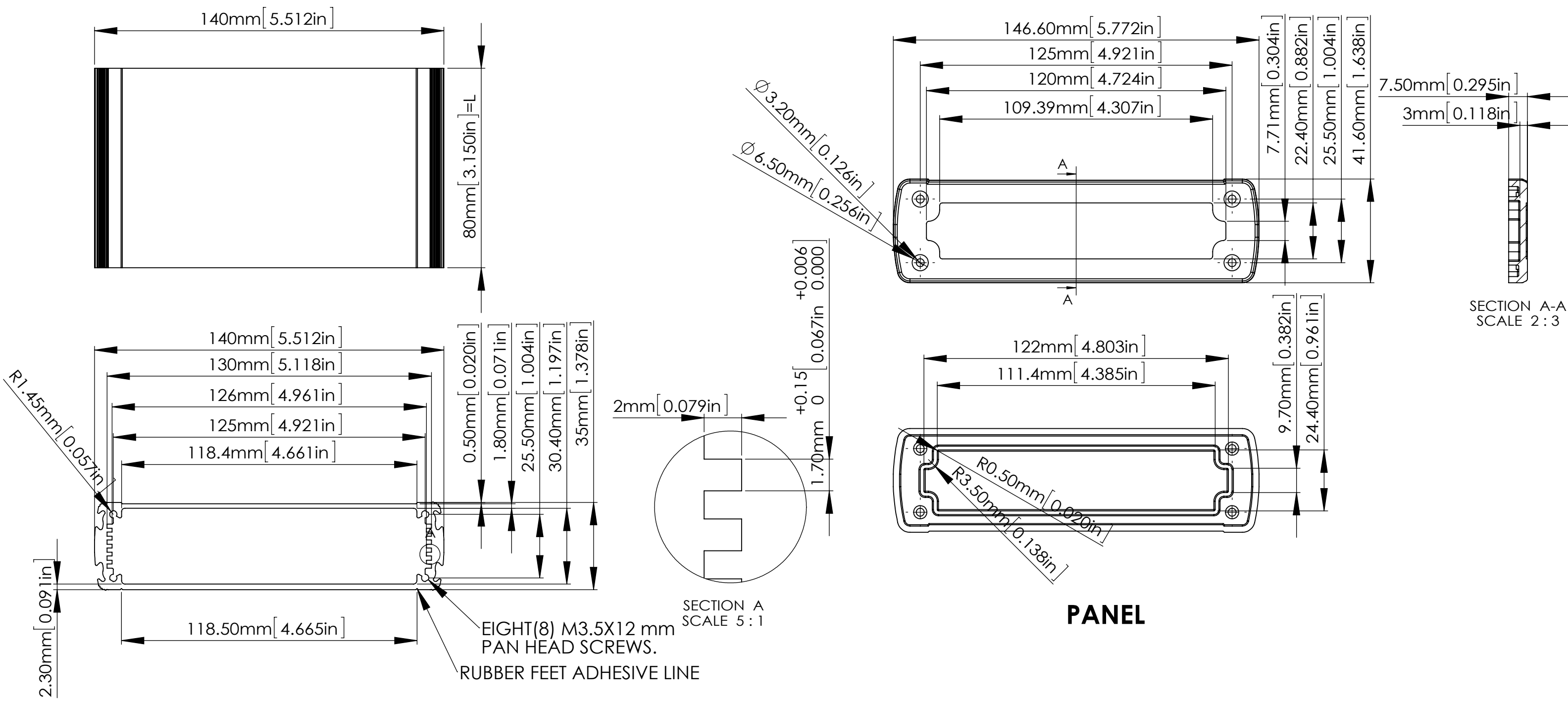
日期 DATE  
2015/09/01

材質 MATE.  
--

圖名TITLE:  
ALUG706XXXXX-XXX

圖號DWG NO:

版次REVISED:  
A



ITEM NO.	L(mm)
ALUG706XX080-XXX	80 mm
ALUG706XX120-XXX	120 mm
ALUG706XX160-XXX	160 mm
ALUG706XX200-XXX	200 mm

**BODY**

**PANEL**

According to ISO 2768-m	
Measuring DIM=L	Tolerances
3.0<L<=6.0 mm	±0.1mm
6.0<L<=30.0 mm	±0.2mm
30.0<L<=120.0 mm	±0.3mm
120.0<L<=400.0 mm	±0.5mm
400.0<L<=1000.0 mm	±0.8mm

宣又實業有限公司 GAINTA INDUSTRIES LTD.	繪圖	DRA'D BY	日期	DATE	材質	MATE.	圖名TITLE:	圖號DWG NO:	版次REVISED:
		JACKY	2015/06/08		--		ALUG706XXXXX-XXX		A