

CAC3 Series

CHOGORI

CAC3 Series Specifications

CAC3 Series(Rotary latch-Type)

Description

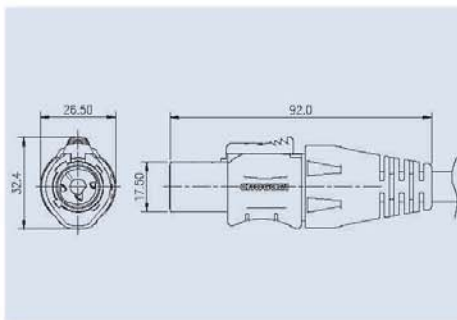
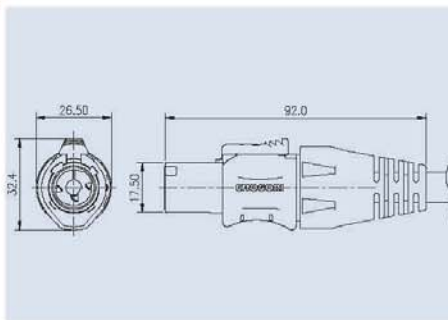
3 PIN Power CON Insert Molding Type plug
Power-in (blue)

3 PIN Power CON Insert Molding Type plug
Power-out (grey)

Figure



Drawing



Part Number

Contacts	Cable Range(mm)	Part Number	Contacts	Panel thickness	Part Number
3	7.0 - 14.0	16003133-01	3	7.0 - 14.0	16003133-02

Specifications

Number of Contacts	3
Wire Gauge	14-12AWG
Cable Range	7mm - 14mm
Environmental Protection	IP67
Mechanical Life	≥ 1000 mating cycles
Operating Temperature	- 40℃ - +80℃
Withstand Voltage	≥ AC 2500V / 1Minute
Voltage Rating	250 V AC
Contact Resistance	≤ 3mΩ
Insulation Resistance	≥ 100MΩ
Rated Current (40℃)	20 A