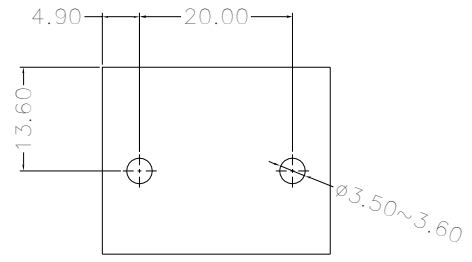
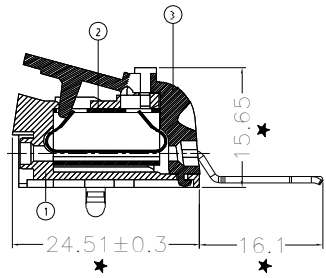
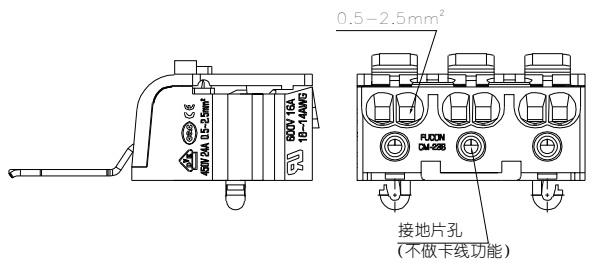
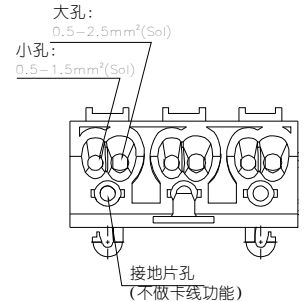
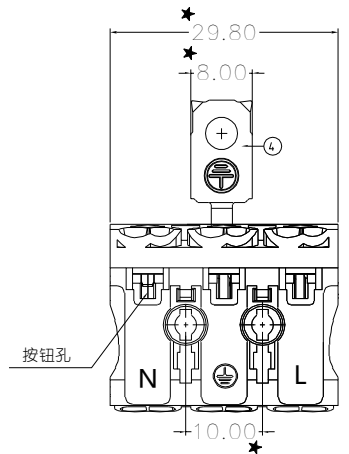


1		2		3		4	
未注公差/General tolerances(mm)							
>0 ~	>3 ~	>6 ~	>10 ~	>18 ~	>30 ~	>50 ~	>80 ~
>120 ~	>180 ~	>250 ~	>315 ~	>400 ~	>500 ~	0.1/10	
±0.15	±0.20	±0.25	±0.30	±0.35	±0.40	±0.60	±0.80
±0.95	±1.00	±1.20	±1.60	±2.20	±2.50	±2°	

5	6	7	8
符号/SIGN	描述/DESCRIPTION	修订者/DRAWN	日期/DATE



技术参数 Technical parameter:

● 产品标准/Rated Voltage	UL1059	IEC60998	GB13140	IEC60998
● 获得安规及标志 ● Access to Safety Mark				
● 证书号码/Certificate No	E338959	40041279	CQC 190 03226724	AQ5050 33330001
● 额定电压/Rated Voltage	600V	450V	450V	450V
● 额定电流/Rated Current	16A	24A		24A
● 线径范围/Wire range		0.5~2.5mm²	0.5~2.5mm²	0.5~2.5mm²
● 大孔导线/Sol (Line-bigger hole)	18-14	0.5~2.5mm²		
● 小孔导线/Sol (Line-smaller hole)	18-16	0.5~1.5mm²		
● 剥线长度/Wire strip length	8-9mm	8-9mm	8-9mm	8-9mm
● 绝缘耐压/Withstanding Voltage	2200V	2500V	2500V	2500V
● 温度范围/Operating temperature	-40℃~120℃			
● 焊接温度/Soldering temperature	/			
● 关键尺寸/Critical dimension	★			

④	接地片/Grounding strip	铜/Copper Alloy	镀/Ni plated	1
③	端盖/Cover	尼龙/PA	白色	1
②	五金组件/Hardware components	铜+不锈钢/Copper Alloy+SUS301	素材	3
①	主座/Housing	尼龙/PA	白色	1
ITEM 序号	NAME OF PART 部件名称	Material 材料	NOTES 备注	QTY 用量

FUCON	CAT NO./认证型号	CM-238	SHEET: 1/1
	PATE NO./成品料号	02.01.005.0179	SCALE: 1:1
	CUST NO./客户料号	/	REV.: A01
APPROVED/ 审批	何跃雄 2022.01.15	MODEL:	
CHECKED/ 核准	胡德权 2022.01.15	CM-238-J-D-3P	
DRAWN/ 制图	陈燕龙 2022.01.15	DRAWING NO./图号:CM-238-179	
④	①	SIZE: A4	TYPE/图纸类型:CUSTOMER_DRAWING