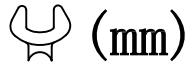


Plastics Cable gland



PG thread

Claping range (∅)

SW1

SW2

SW3

PG7

3-6.5

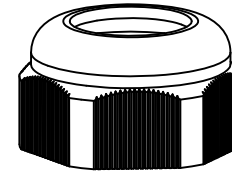
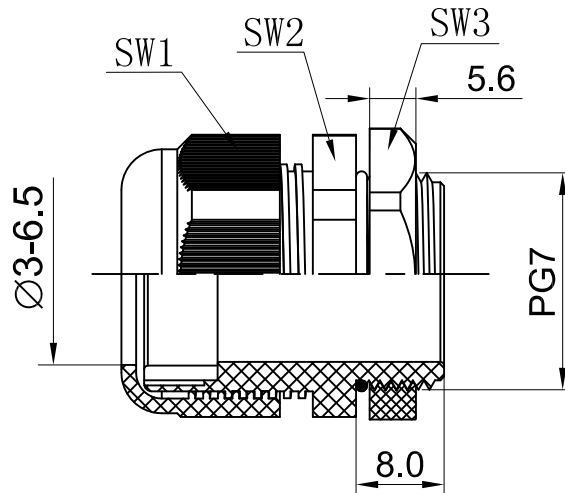
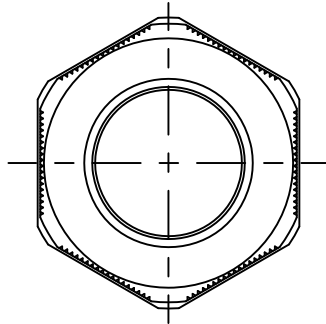
15.7

15.8

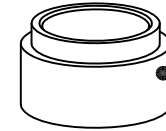
17.6

REVISION RECORD

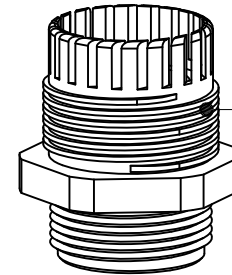
REV	ECN	DESCRIPTION	DRFT	DATE



Sealing nut



Seal



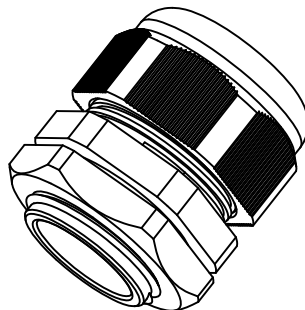
Body



O-Ring



Lock nut



Plastics Cable gland

Material:Nylon

Seal Material:NBR

Degree of protection:IP68

Temperature range:-40~100°C

Color:Black

DETACHED LISTS	PART NO.:	/		
	APPD:	NAME: 宁波高松电子有限公司 NINGBO DEGSON ELECTRICAL CO., LTD		
	CHKD:	DDL-PG7P-01AH		
	DRFT: Mr. Yang2016.08.18	TITLE: CUSTOMER DRAWING	REV	D0-1
		DRAWING NO.:	SHEET	1/1
	THIRD ANGLE PROJECTION	MM (INCH)	DO NOT SCALE DRAWING	SCALE