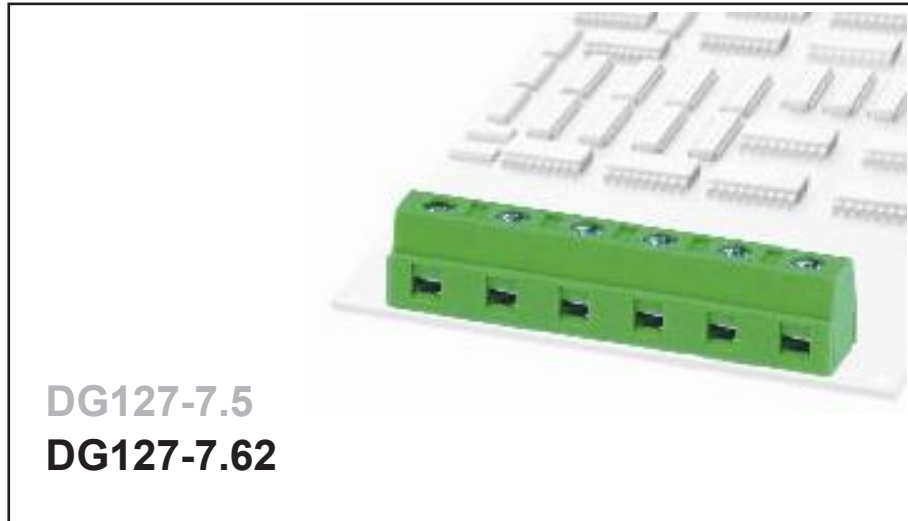


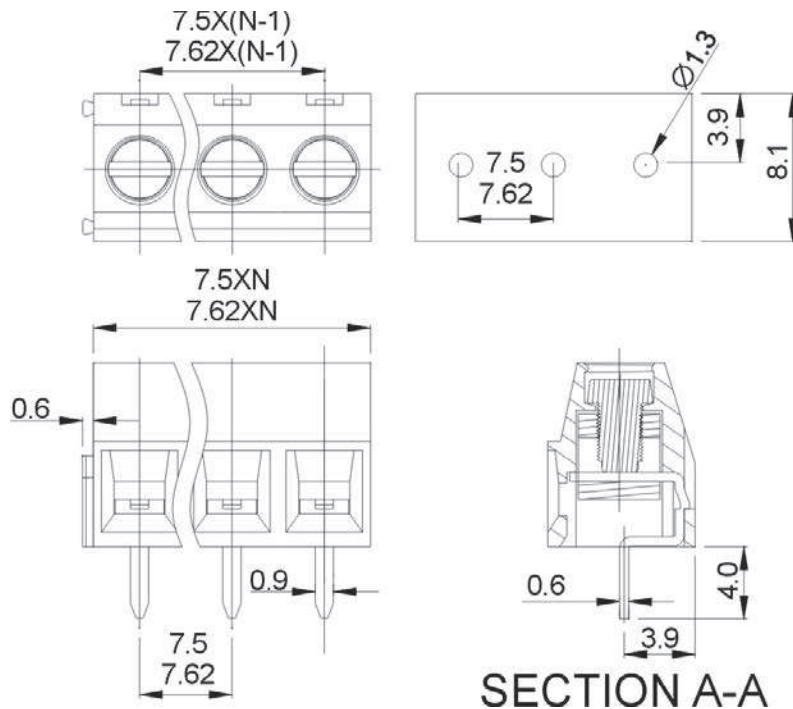


DEGSON ELECTRONICS CO., LTD.

Product Specification

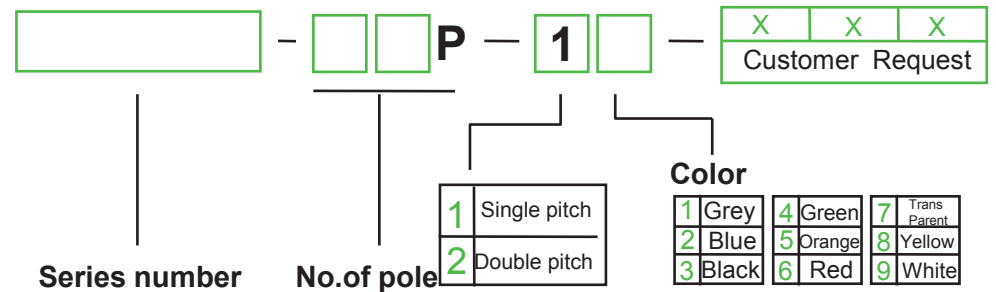


DG127-7.5
DG127-7.62



APPROVAL		
Electrical		
Standard	UL	IEC
Rated voltage	300V	450V
Rated current	12A	15A
Wire range	26-14AWG	1.5mm ²
Withstanding voltage	AC2500V/1Min	
Mechanical		
Torque	0.5Nm(4.4Lb-In)	
Ambient temperature	-40°C~+105 °C	
Strip length	6mm	
Dimensions		
pitch	7.5mm(.295") 7.62mm(.300")	
Poles	2P,3P-24P	
Material		
Housing	PA66,UL94V-0	
Screws	M3.0,Steel, Cr ³⁺ Znplated	
Pin header	Brass,Tin-plated	
Cage	Brass,Ni-plated	

HOW TO ORDER :



mm (INCH)	DEGSON ELECTRONICS CO., LTD.
THROANGLE PROJECTION	NAME DG127-7.5 DG127-7.62