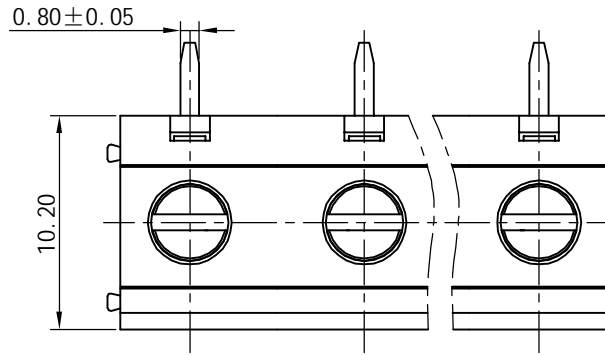
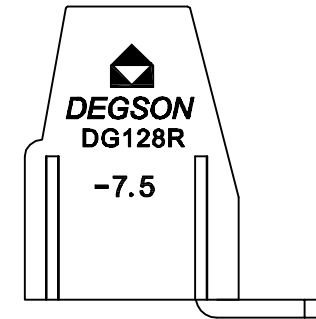
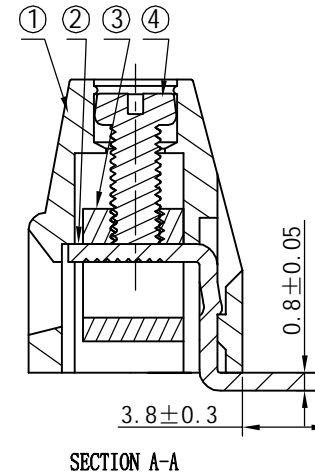
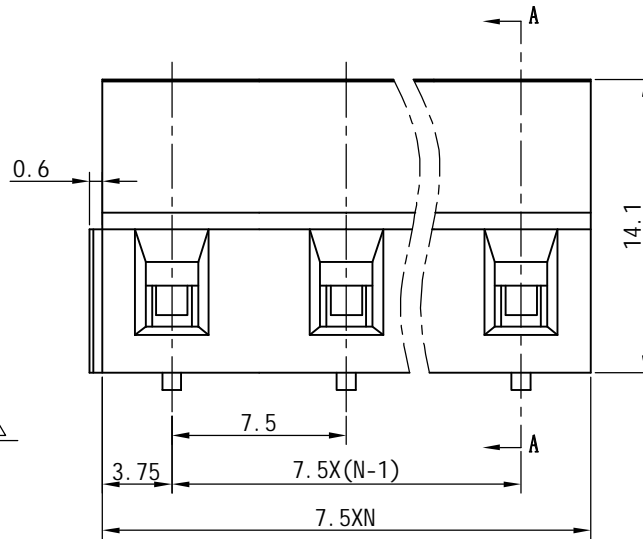
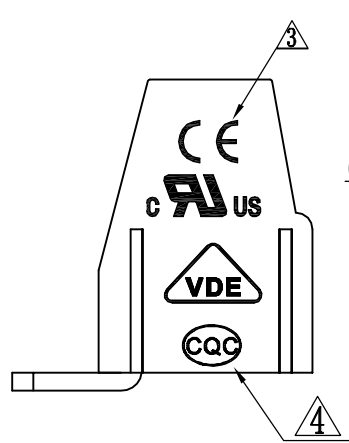


REVISION RECORD				
REV	BCN	DESCRIPTION	DEPT	DATE
△		Drawing Revise	Haoyh	03/27/06
△		增加VDE、CE标志	LJH	11/12/07
△		增加CQC标志	YeJ	02/10/09
△	10-0246	UL电流由10A变更为15A	Lasting	08/05/10



- Notes:
- Pitch: 7.5mm, Poles: 2-XXP
 - Rated voltage/current: UL 300V/15A △
VDE 450V/18A
 - Operation temperatures: -40°C ~ +105°C
 - Withstanding Voltage: AC2000V/1Min
 - Insulation Resistance: 5000MΩ/DC1000V
 - Wire Range: 12~24AWG, 2.5mm²
 - Max. Torque Value: M2.5, 4.08kgf.cm
 - Undimensioned Tolerances:

Pitch range in mm		Nominal dimension range in mm				—
to 6	over 6 to 10	over 10 to 24	to 30	over 30 to 60	over 60 to 100	over 100 to 150
±0.10	±0.15	±0.25	±0.2	±0.3	±0.5	±0.7
					±1.0	0.05/10



4	DG128 "—" Screw	S000001460 (H)	XX	Steel	Cr ³⁺ Zn
3	DG128 Cage	X000000020 (H)	XX	Brass	Ni plated
2	DG128R Pin header	4027B00030 (H)	XX	Brass	SnCe

ITEM	NAME OF PART	NO. OF PART	Q'TY	MATERIAL	NOTES
1	DG128-7.5 Housing	4097A0YXXA (H)	1	PA66	UL94V-0

MM (INCH) TOLERANCES EXCEPT AS NOTED MM .0 ± ± .00 ± ± .000 ± ± ANGLES ± 1° THIRD ANGLE PROJECTION	DFTD Tongxc DATE 09/23/06* CHD DATE MFO DATE APPVL DATE MATERIAL : G. E : FINISH : SCALE : 1:1	宁波高正电子有限公司 DEGSON® DEGSON ELECTRONICS CO., LTD NAME DG128R-7.5-XXP-1Y-00A (H) DRAWING NO. DG128R-7.5-E02 /PART NO. DO NOT SCALE DRAWING	SIZE A3 REV T5 06/08/10* SHEET 1 OF 1
----------------------------------------------------------------------------------------------------------------------	---------------------------------------------------------------------------------------------------------------------	--------------------------------------------------------------------------------------------------------------------------------------------------------------	---------------------------------------------------