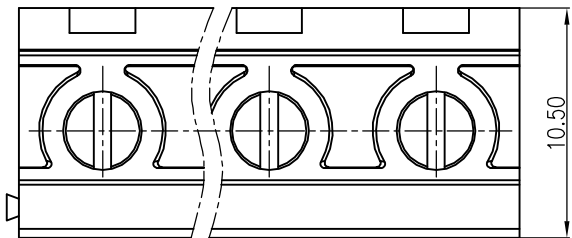
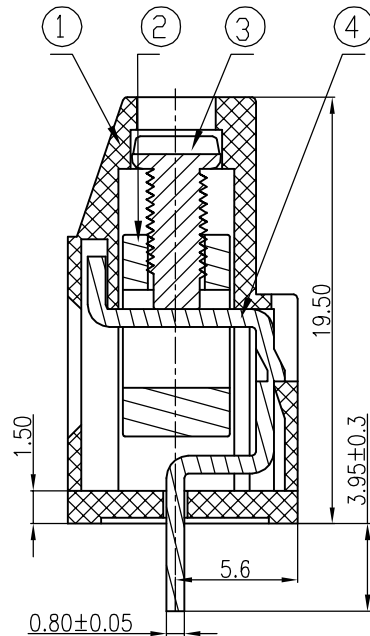
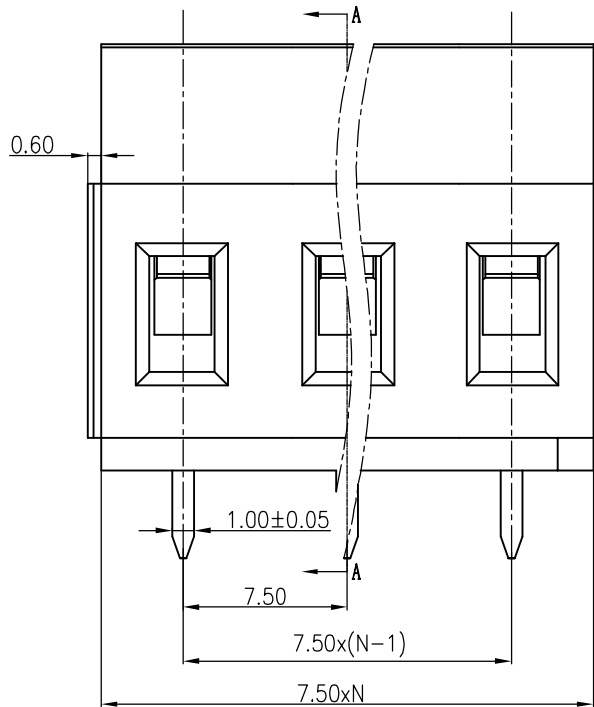


REVISION RECORD				
REV	ECC	DESCRIPTION	DRFT	DATE

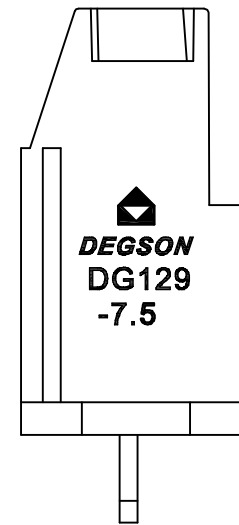
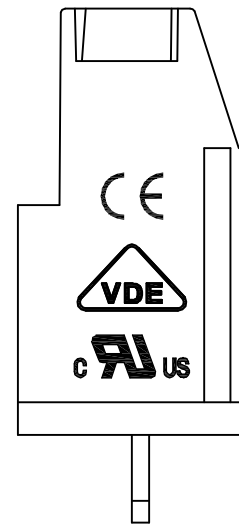


- Notes:
- Pitch:7.5mm Poles:2P-XXP
 - Rated Voltage Current:UL 300V 20A
VDE 450V 20A
 - Operation temperatures:-40℃~+105℃
 - Withstanding Voltage:AC2000V/1Min
 - Insulation Resistance:5000MΩ/DC1000V
 - Wire Range:26~12AWG, 2.5mm²
 - Max. Torque Value:M3, 5.1kgf.cm
 - Undimensioned Tolerances:

Pitch range in mm		Nominal dimension range in mm					—
to	over	over	to	over	over	over	—
6	6 to 10	10 to 24	30 to 30	60 to 60	100 to 100	150 to 150	∩ □
±0.10	±0.15	±0.25	±0.2	±0.3	±0.5	±0.7	±1.0 0.05/10



SECTION A-A



5	DG129-Cover	4110C0YXXA (H)	1	PA66	UL94V-0
4	DG129-Pin header	4029B00010 (H)	XX	Barss	SnCe
3	DG129-Screws-M3	S000001430 (H)	XX	Steel	Cr Zn
2	DG129-Cage	X000000200 (H)	XX	Brass	Ni plated

ITEM	NAME OF PART	NO. OF PART	Q'TY	MATERIAL	NOTES
1	DG129-7.5-XXP-1Y-00A 塑体	4110A0YXXA (H)	1	PA66	UL94V-0

MM (INCH)	DF TO ZYH	DATE 08/08/08*
TOLERANCES EXCEPT AS NOTED	CHKD	DATE
	MFD	DATE
MM	APPVL	DATE
.0 ±		
.00 ±		
.000 ±		
ANGLES ± 1°	G.E :	
THIRD ANGLE PROJECTION	FINISH:	
	SCALE : 1:1	

宁波高正电子有限公司 DEGSON ELECTRONICS CO., LTD	
NAME DG129-7.5-XXP-1Y-00A(H)	
DRAWING NO. DG129-7.5-E01	SIZE A4
/PART NO.	REV TO 08/08/08*
DD NDT SCALE DRAWING	SHEET 1 OF 1