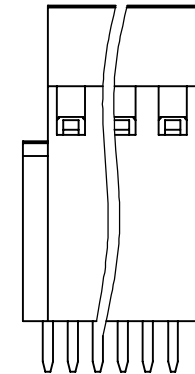
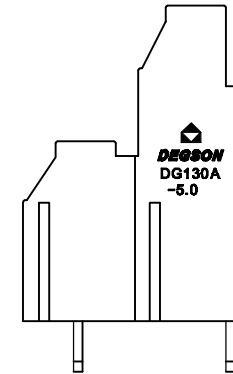
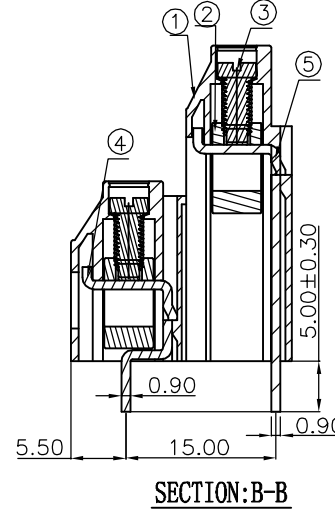
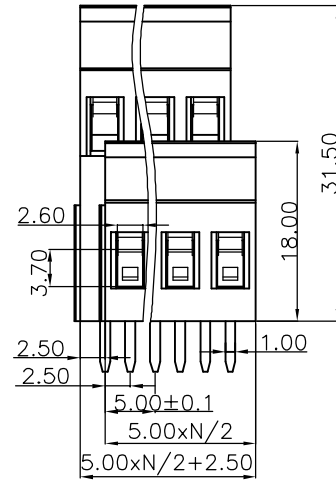
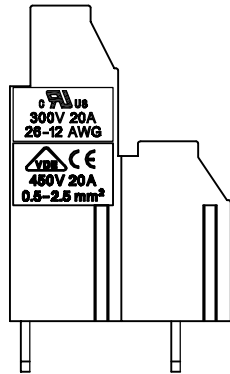
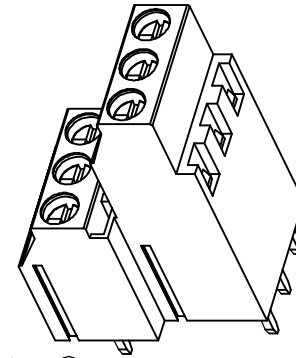
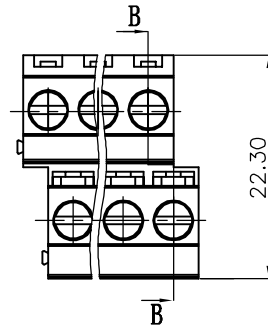
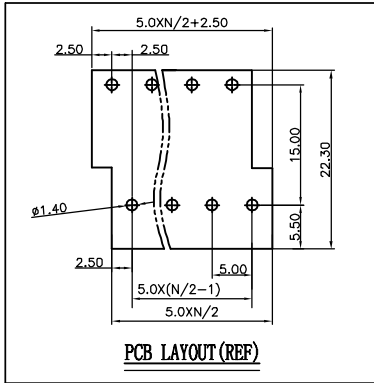
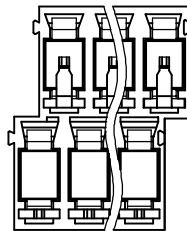


REVISION RECORD				
REV	ECO	DESCRIPTION	DRFT	DATE
△	10-0127	增加UL刻字及参数	Lasting	06/15/10*



**Notes:**

1. Pitch: 5.0mm, Poles: 4-XXP
2. Rated voltage/current: UL 300V/20A  
IEC 450V/20A
3. Operation temperatures: -40°C ~ +105°C
4. Withstanding Voltage: AC2000V/1min
5. Insulation Resistance: 5000MΩ/DC1000V
6. Wire Range: 26~12AWG, 0.5~2.5mm²
7. Max. Torque Value: M3, 5.1kgf.cm
8. Undimensioned Tolerances:



Pitch range in mm		Nominal dimension range in mm						
	over 6	over 10	over 24	over 30	over 60	over 100	over 150	∩
to 6	to 10	to 24	to 30	to 60	to 100	to 150		□
±0.10	±0.15	±0.25	±0.2	±0.3	±0.5	±0.7	±1.0	0.05/1.0

ITEM	NAME OF PART	NO. OF PART	Q'TY	MATERIAL	NOTES
5	DG130H-Pin header	4125B00010 (H)	XX/2	Copper	SnCe plated
4	DG130-Pin header	4087B00010 (H)	XX/2	Brass	SnCe plated
3	DG129-Screws-M3	S000001430 (H)	XX	Steel	C <sup>3+</sup> Zn
2	DG129-Cage	X000000200 (H)	XX	Brass	Ni plated
1	DG130A-5.0-Housing	4129A0YXXA (H)	1	PA66	UL94V-0

DETACHED LISTS	MM (INCH)	DFTO CW	DATE 06/18/09	宁波高正电子有限公司 DEGSON ELECTRONICS CO., LTD
	TOLERANCES EXCEPT AS NOTED	CHKD	DATE	
		MFO	DATE	
		APPLV	DATE	
	MM			NAME
	.0 ±	±		DG130A-5.0-XXP-1Y-00A(H)
	.00 ±	±		DRAWING NO. DG130A-5.0-E01
	.000 ±	±		/PART NO.
	ANGLES ± 1°	G.E. :		SIZE A3
	THIRD ANGLE PROJECTION	FINISH :		REV T1
		SCALE : 1:1		06/15/10*
			DO NOT SCALE DRAWING	SHEET 1 OF 1