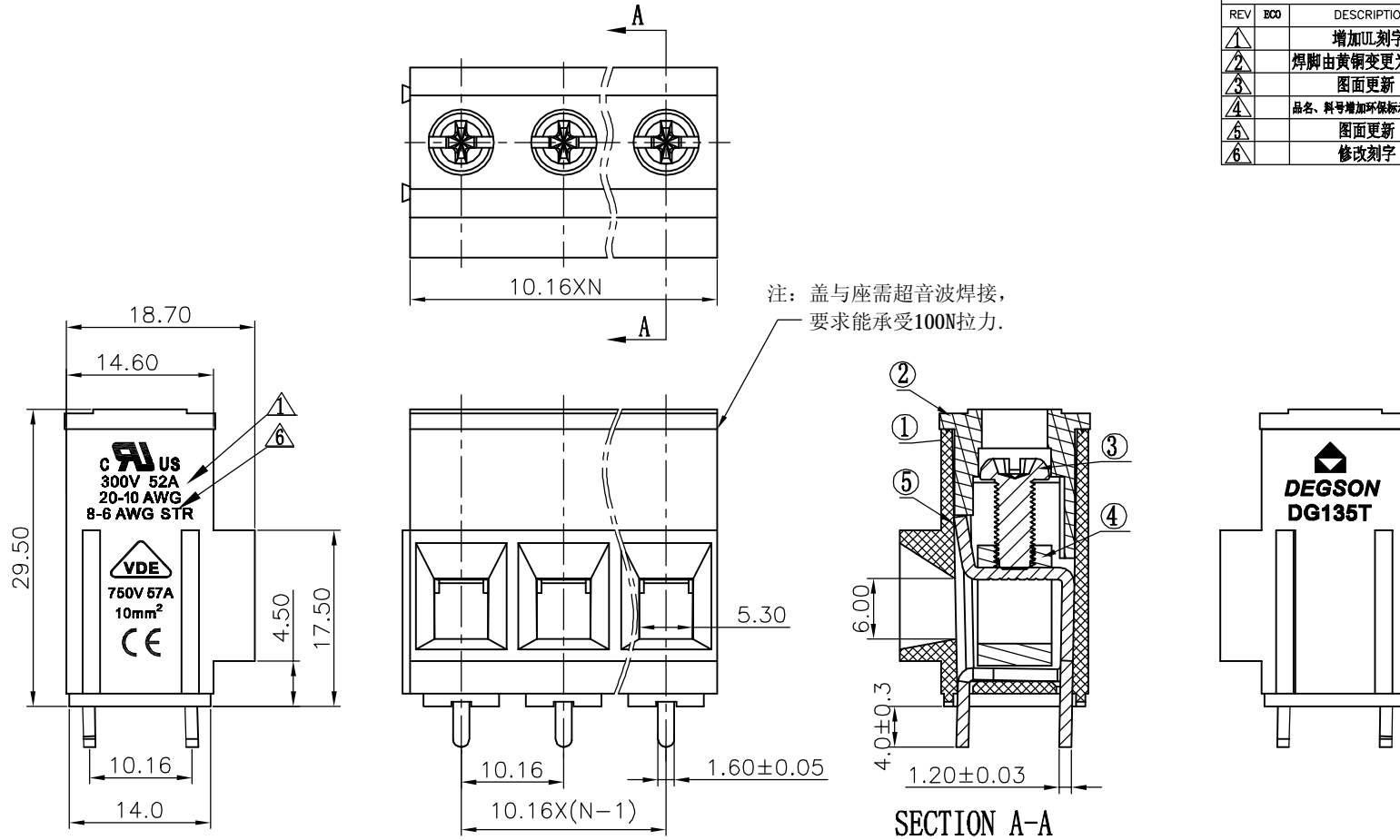


REVISION RECORD				
REV	ECO	DESCRIPTION	DRPT	DATE
△1		增加UL刻字	CSX	10/06/06*
△2		焊脚由黄铜变更为紫铜	CSX	10/26/06*
△3		图面更新	Ye j	06/11/07*
△4		品名、料号增加环保标示“(H)”	CSX	12/10/07*
△5		图面更新	LJH	04/19/08*
△6		修改刻字	HD	10/20/08*



Notes:

1. Pitch: 10.16mm , Poles: 2-XXP
2. Rated voltage/current: UL 300V/52A △
VDE 750V/57A
3. Operation temperatures: -40°C ~ +105°C
4. Withstanding Voltage: AC2000V/1Min
5. Insulation Resistance: 5000MΩ / DC1000V
6. Wire Range: 20~6AWG, 10mm²
7. Max. Torque Value: M4, 12.24kgf.cm
8. Undimensioned Tolerances:

Pitch range in mm		Nominal dimension range in mm						
	over 6 to 10	over 10 to 24	over 30 to 60	over 60 to 100	over 100 to 150	over 150		
±0.10	±0.15	±0.25	±0.2	±0.3	±0.5	±0.7	±1.0	
							0.05/10	

ITEM	NAME OF PART	NO. OF PART	Q'TY	MATERIAL	NOTES
5	DG135T- Pin header	4010B00020 (H)	XX	Pure copper	SnCe
4	DG135T- Cage	X000000920 (H)	XX	Brass	Ni Plated
3	DG135T- Screw	S000001520 (H)	XX	Steel	Cr ³⁺ Zn
2	DG135T-10.16-00A Cover	4010C0YXXA (H)	1	PBT	UL94V-0
1	DG135T-10.16-00A Housing	4010A0YXXA (H)	1	PBT	UL94V-0

DEPARTMENTS: <input type="checkbox"/> MFG <input type="checkbox"/> QA <input type="checkbox"/> ENG <input type="checkbox"/> DES TOLERANCES EXCEPT AS NOTED UNLESS SPECIFIED: DIMENSIONS IN MILLIMETERS ANGLES ± 1° THIRD ANGLE PROJECTION	INFO: HW DATE 10/11/06* CHD DATE MFO DATE APPVL DATE MATERIAL: G. E.: FINISH: SCALE: 1:1	DATE 10/11/06* DATE DATE DATE DATE DATE	宁波高正电子有限公司 DEGSON® DEGSON ELECTRONICS CO., LTD NAME: DG135T-10.16-XXP-1Y-00A (H) DRAWING NO. DG135T-10.16-E01 /PART NO. DO NOT SCALE DRAWING	SIZE A3 REV T6 10/20/08* SHEET 1 OF 1
---	---	--	---	--