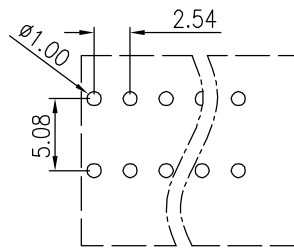
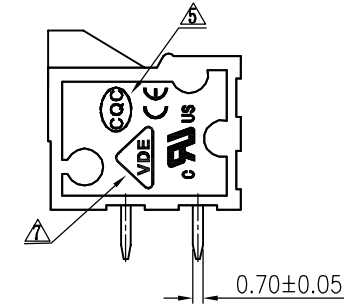
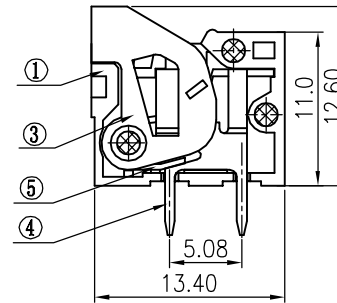
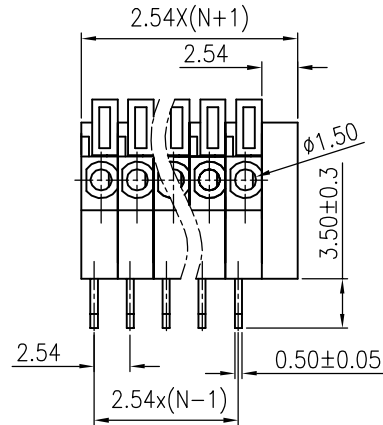
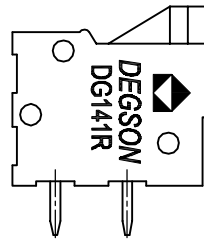


REVISION RECORD				
REV	ECN	DESCRIPTION	DRFT	DATE
3		工程变更	Ye j	09/07/07
4		增加UL、CE刻字	CSX	02/25/08
5		增加CQC刻字	WLM	01/09/09
6	09-0138	增加焊脚宽度标注	LJH	11/20/09
7	10-0315	增加VDE刻字及修改参数	ZXX	09/24/10



TOP VIEW-LAYOUT

Notes:

1. Pitch: 2.54mm, Poles: XXP
2. Rated voltage/current: UL 150V/2A  
VDE 130V/6A
3. Operation temperatures: -40°C ~ +105°C
4. Withstanding Voltage: AC2000V/1min
5. Insulation Resistance: 5000MΩ / DC1000V
6. Wire Range: 24~20AWG, 0.2~1.0mm<sup>2</sup>.
7. Undimensioned Tolerances:

Pitch range in mm			Nominal dimension range in mm					
to	over	over	to	over	over	over	over	
6	6 to 10	10 to 24	30	30 to 60	60 to 100	100 to 150	150	∩
±0.10	±0.15	±0.25	±0.2	±0.3	±0.5	±0.7	±1.0	□

ITEM	NAME OF PART	NO. OF PART	Q'TY	MATERIAL	NOTES
5	DG141-Spring	X000000120 (H)	XX	Stainless Steel	
4	DG141R-Pin header	3002B00010 (H)	XX	Brass	SnCe
3	DG141R-2.54-Button	3002D0501A (H)	XX	PA66	UL94V-0
2	DG141R-2.54-Cover	3002C0Y01A (H)	1	PA66+5%GF	UL94V-0
1	DG141R-2.54-Housing	3002A0Y01A (H)	XX	PA66+5%GF	UL94V-0

DETACHED LISTS	MM (INCH)	DFTO DZJ	DATE 10/07/05	宁波高正电子有限公司 DEGSON ELECTRONICS CO., LTD	
	TOLERANCES EXCEPT AS NOTED		CHKD		DATE
			MFO		DATE
			APPVL		DATE
MM		MATERIAL :		NAME DG141R-2.54-XXP-1Y-00A(H)	
.0 ±					
.00 ±		G.E :		DRAWING NO. DG141R-2.54-E04	
.000 ±		FINISH :		/PART NO.	
ANGLES ± 1'		SCALE : 1:1		SIZE A4	
THIRD ANGLE PROJECTION		DO NOT SCALE DRAWING		REV T7	
		SHEET 1		09/24/10	
		OF 1			