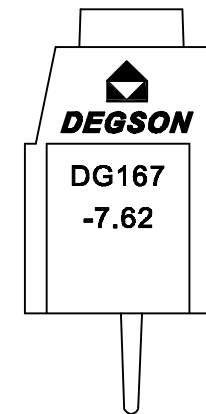
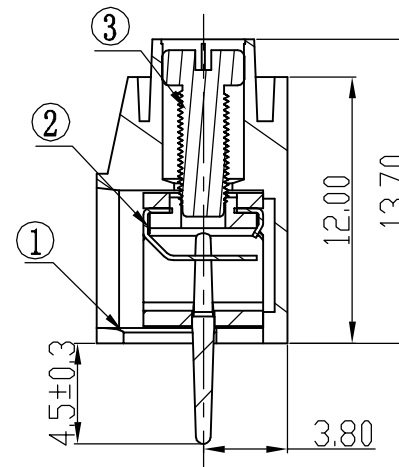
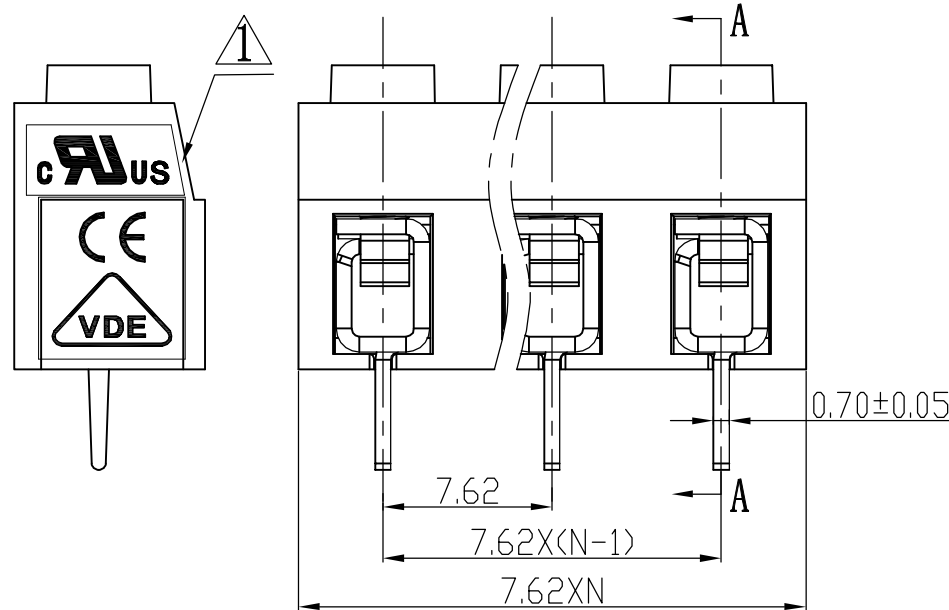
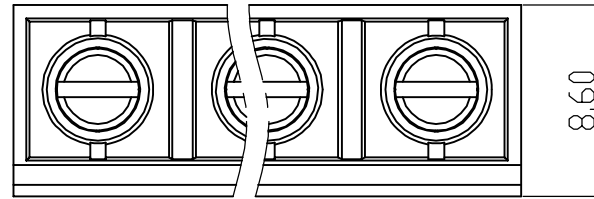


REVISION RECORD					
REV	ECD	DESCRIPTION	DRFT	DATE	
△		增加UL, VDE, CE刻字	Zengy	09/09/08	



Notes:

- Pitch: 7.62mm, Poles: 2-12P
- Rated voltage/current: UL 300V/15A
VDE 450V/22A
- Operation temperatures: -40°C ~ +105°C
- Withstanding Voltage: AC2000V/1Min
- Insulation Resistance: 5000MΩ / DC1000V
- Wire Range: 22~12AWG, 0.5~2.5mm²
- Max. Torque Value: M2.5, 4.08kgf.cm
- Undimensioned Tolerances:

Pitch range in mm			Nominal dimension range in mm						
	over 6 to 10	over 10 to 24	over 30 to 60	over 60 to 100	over 100 to 150	over 150			
±0.10	±0.15	±0.25	±0.2	±0.3	±0.5	±0.7	±1.0	0.05/10	

ITEM	NAME OF PART	NO. OF PART	Q'TY	MATERIAL	NOTES
3	DG167 Screws	S000001530 (H)	XX	Steel	Cr ³⁺ Zn
2	DG167 Pin header	4022B00010 (H)	XX	Brass	SnCe
1	DG167-7.62 Housing	4088A0YXXA (H)	1	PA66	UL94V-0

DETACHED LISTS		DATE 04/08/07		NAME	
MM (INCH)	DRFT LIN	CHKD	DATE	DEGSON [®] 宁波高正电子有限公司	
TOLERANCES EXCEPT AS NOTED		APPVL	DATE	DEGSON ELECTRONICS CO., LTD	
MM	±	MATERIAL :		NAME	
.0 ±	±	G.E :		DG167-7.62-XXP-1Y-00A(H)	
.00 ±	±	FINISH:		DRAWING NO. DG167-7.62-E01	
.000 ±	±	SCALE : 1:1		/PART NO.	
THIRD ANGLE PROJECTION		DO NOT SCALE DRAWING		SIZE A3	REV T1
		SHEET 1		09/09/08	
		OF 1			