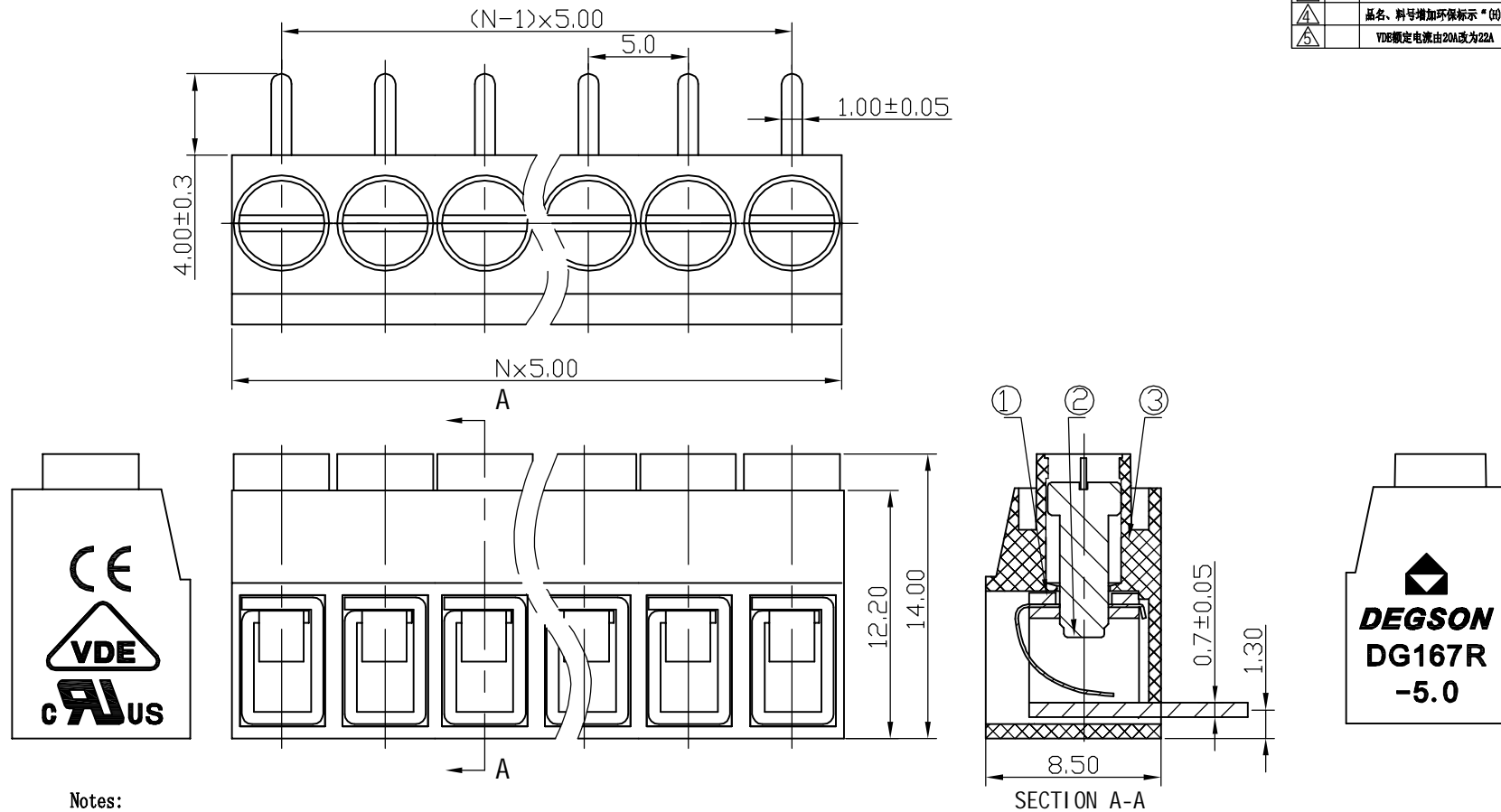


REVISION RECORD				
REV	ECD	DESCRIPTION	DRFT	DATE
△		Drawing Revise	Haoyh	03/21/06
△		修改刻字	CSX	05/08/06
△		增加UL刻字	CSX	06/20/07
△		品名、料号增加环保标示“(H)”	CSX	12/10/07
△		VDE额定电源由20A改为22A	Zengy	08/28/08



Notes:

- Pitch: 5.0mm, Poles: 2-12P
- Rated voltage/current: UL 300V/15A  
VDE 250V/22A △
- Operation temperatures: -40°C ~ +105°C
- Withstanding Voltage: AC2000V/1min
- Insulation Resistance: 5000M, /DC1000V
- Wire Range: 22-12AWG, 0.5-2.5mm<sup>2</sup>
- Max. Torque Value: M2.5, 4.08kgf.cm
- Undimensioned Tolerances:

Pitch range in mm		Nominal dimension range in mm						
	over 6 to 10	over 10 to 24	over 30 to 60	over 60 to 100	over 100 to 150	over 150	∩	
to 6	to 10	to 24	to 30	to 60	to 100	to 150	◇	
±0.10	±0.15	±0.25	±0.2	±0.3	±0.5	±0.7	±1.0	0.05/10

3	DG167 Screws	S000001530(H)	XX	Steel	Cr <sup>3+</sup> Zn
2	DG167R Spring	4023B00010(H)	XX	Brass	SnCe

ITEM	NAME OF PART	NO. OF PART	Q'TY	MATERIAL	NOTES
1	DG167R-5.0-Housing	4023A0YXXA(H)	1	PA66	UL94V-0

DETACHED LISTS		DATE 07/19/04	
MM (INCH)	CHKD	DATE	
TOLERANCES EXCEPT AS NOTED	MFD	DATE	
MM	APPVL	DATE	
0 ±			
.00 ±			
.000 ±			
ANGLES ± 1°	G.E :		
THIRD ANGLE PROJECTION	FINISH:		
SCALE : 1:1			

宁波高正电子有限公司 DEGSON ELECTRONICS CO., LTD	
NAME: DG167R-5.0-XXP-1Y-00A(H)	
DRAWING NO. DG167R-5.0-E01	SIZE: A3
/PART NO.	REV T5 08/28/08
DO NOT SCALE DRAWING	SHEET 1 OF 1