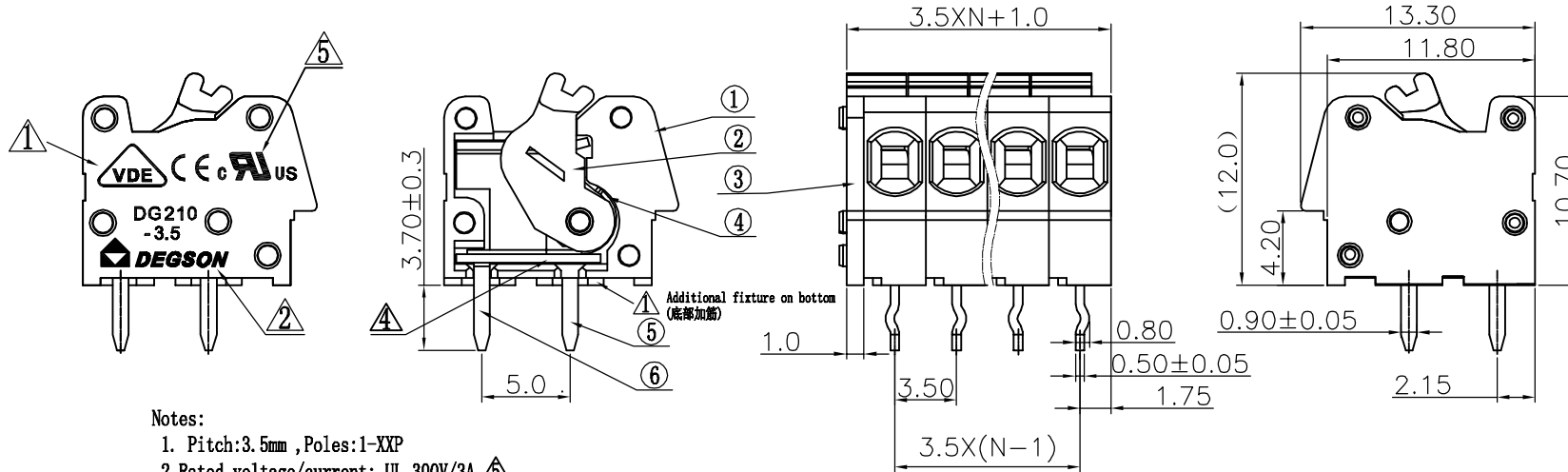


REVISION RECORD					
REV	ECO	DESCRIPTION	DRPT	DATE	
△		工程变更	LIN	12/01/08	
△		增加商标, 品名刻字	Zengy	05/22/09	
△		0.2mm ² 改为0.5mm ²	LIN	07/28/09	
△		整理图面	ZYH	08/10/09	
△	09-0134	增加UL刻字, 参数及线径	GHY	01/03/10	
△	10-0132	增加测试长度及单股导线插入力	COCO	05/17/10	



Notes:

- Pitch: 3.5mm, Poles: 1-XXP
- Rated voltage/current: UL 300V/3A △
VDE 250V/2A
- Operation temperatures: -40℃~+105℃
- Withstanding Voltage: AC2000V/1Min
- Insulation Resistance: 5000MΩ/DC1000V
- Wire Range: 20~16AWG SOL, 0.5~1.5mm² △ △
- Tensile strength >=80N (SOL 0.5~1.5mm²)
- Strip length: 8~9mm △
- Single strand wire insertion force: 0.5mm² is 8±3N ;
1.5mm² is 13±3N △
- Undimensioned Tolerances:

Pitch range in mm		Nominal dimension range in mm					—
to	over	to	over	to	over	to	—
6	over 6	to 10	over 10	to 30	over 30	to 60	over 60
10	to 24	to 30	over 30	to 60	over 60	to 100	over 100
15	to 150	to 150	over 150	to 150	over 150	to 150	over 150
±0.10	±0.15	±0.25	±0.2	±0.3	±0.5	±0.7	±1.0
							0.05/10

ITEM	NAME OF PART	NO. OF PART	Q'TY	MATERIAL	NOTES
6	Back pin header	3017B00020(H)	XX/2	Brass	SnCe plated
5	Front pin header	3017B00010(H)	XX/2	Brass	SnCe plated
4	DG210-Shrapnel	X000000980(H)	XX	stainless steel	
3	DG210-Cover	3017C0V01A(H)	1	PA66	UL94V-0
2	DG210-Button	3017D0901A(H)	XX	PA66	UL94V-0

ITEM	NAME OF PART	NO. OF PART	Q'TY	MATERIAL	NOTES																
1	DG210-Housing	3017A0Y01A(H)	XX	PA66	UL94V-0																
<table border="1"> <tr> <td>MM (INCH)</td> <td>DATE 11/26/07</td> </tr> <tr> <td>CHD</td> <td>DATE</td> </tr> <tr> <td>MFO</td> <td>DATE</td> </tr> <tr> <td>APPL</td> <td>DATE</td> </tr> <tr> <td>MATERIAL :</td> <td></td> </tr> <tr> <td>G. E :</td> <td></td> </tr> <tr> <td>FINISH :</td> <td></td> </tr> <tr> <td>SCALE : 1:1</td> <td></td> </tr> </table>						MM (INCH)	DATE 11/26/07	CHD	DATE	MFO	DATE	APPL	DATE	MATERIAL :		G. E :		FINISH :		SCALE : 1:1	
MM (INCH)	DATE 11/26/07																				
CHD	DATE																				
MFO	DATE																				
APPL	DATE																				
MATERIAL :																					
G. E :																					
FINISH :																					
SCALE : 1:1																					
<p>DEGSON 宁波高正电子有限公司 DEGSON ELECTRONICS CO., LTD</p> <p>NAME DG210-3.5-XXP-1Y-00A(H)</p> <p>DRAWING NO. DG210-3.5-B01 SIZE A3 REV 18 06/17/10</p> <p>/PART NO. DO NOT SCALE DRAWING SHEET 1 OF 1</p>																					