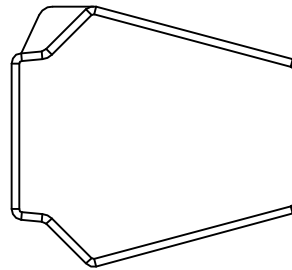
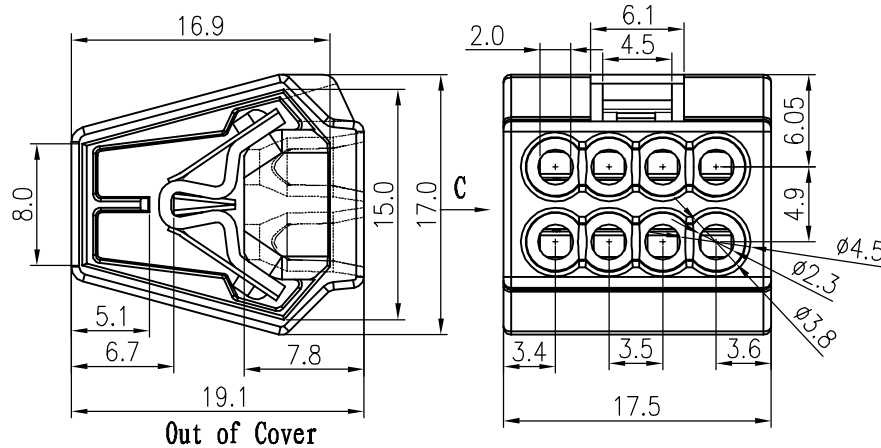
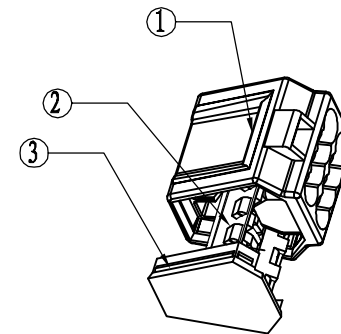
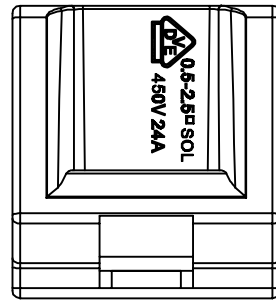


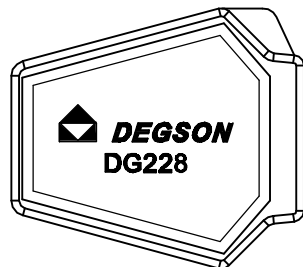
REVISION RECORD				
REV	ECO	DESCRIPTION	DRFT	DATE



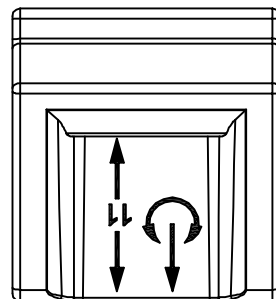
Notes:

1. Pitch: 3.5mm , Poles: 05P
2. Rated voltage/current: UL1059 600V/20A
IEC 450V/24A
3. Operation temperatures: -40°C ~ +85°C
4. Withstanding Voltage: AC2500V/1Min
5. Insulation Resistance: 5000M Ω /DC1000V
6. Wire Range: 18-14AWG 2.5mm
7. Undimensioned Tolerances:

Pitch range in mm		Nominal dimension range in mm					—
to 6	over 6 to 10	over 10 to 24	to 30	over 30 to 60	over 60 to 100	over 100 to 150	∩
±0.10	±0.15	±0.25	±0.2	±0.3	±0.5	±0.7	∇



C向



3	DG228-3.5-08P Cover	3040C0301C(H)	1	PC	UL94V-2
2	DG228-3.5-08P-Metals	X000003870(H)	1	Fe+ Stainless steel	SnCe

ITEM	NAME OF PART	NO. OF PART	Q'TY	MATERIAL	NOTES
1	DG228-3.5-08P Housing	3040A0708A(H)	1	PC	UL94V-2

DETACHED LISTS	MM (INCH)	DFTO Apply	DATE 03/07/09*
	TOLERANCES EXCEPT AS NOTED	CHKD	DATE
		MFO	DATE
		APPVL	DATE
MM	±	MATERIAL :	
.0 ±	±	G.E :	
.00 ±	±	FINISH :	
.000 ±	±	SCALE : 1:1	
ANGLES ± 1'	THIRD ANGLE PROJECTION		

		NAME	DG228-3.5-08P-1Y-00A(H)
DRAWING NO. DG228-3.5-E08		SIZE	A3
/PART NO.		REV TO	p3/18/10*
DO NOT SCALE DRAWING		SHEET	1 OF 1